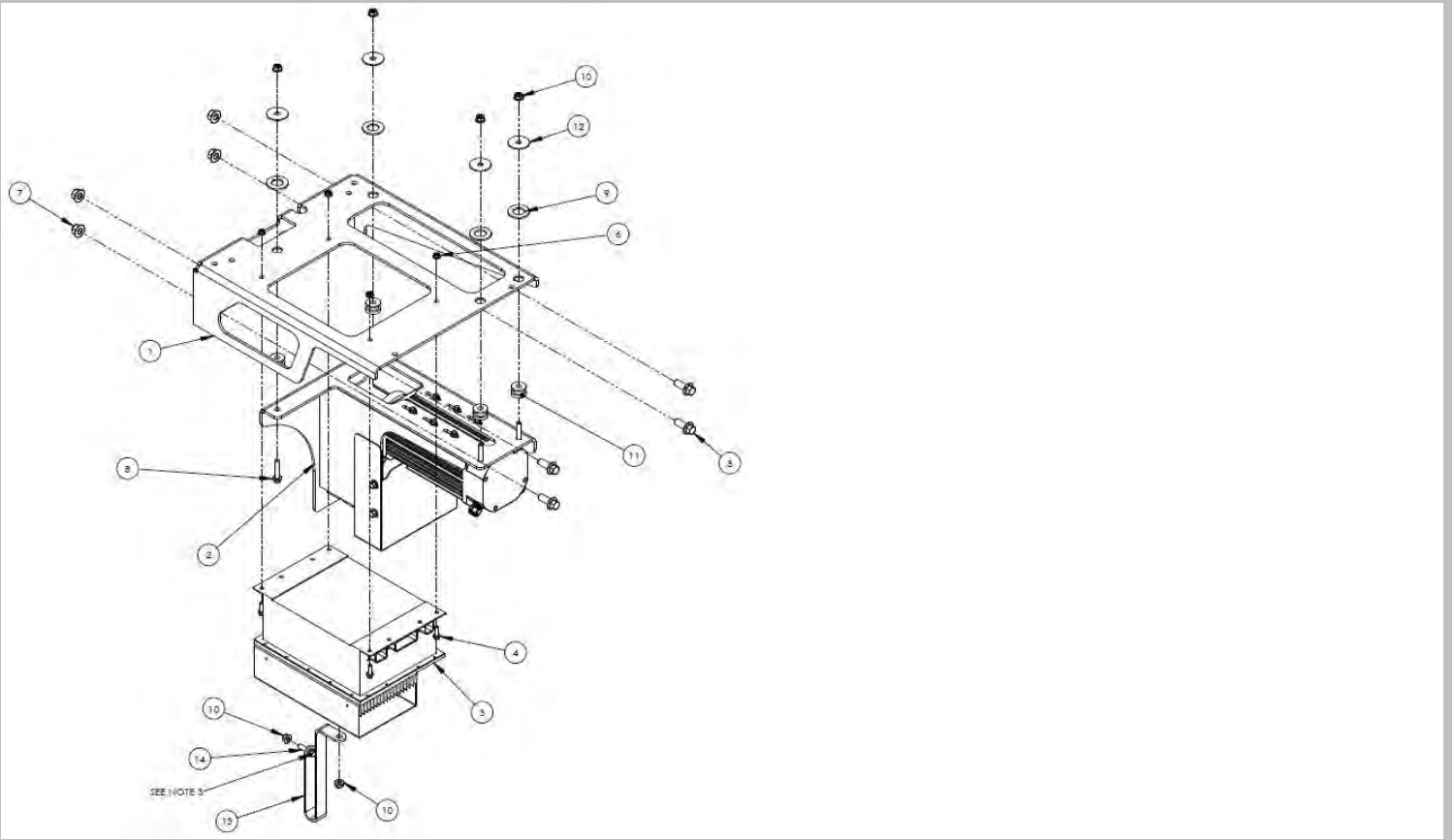


Key	PN	Qty	U/M	Description
1	104063	1	EA	ASSY, DMOC, 445, ISG, PROGRAMMED
2	102883	2	EA	BRACKET, DMOC CLIP, 3 BOLT
4	102884	2	EA	BRACKET, DMOC CLIP, 4 BOLT
5	102885	1	EA	PLATE, DMOC SPACER
6	100772	11	EA	BOLT, HEX FLANGE HEAD, CL8.8, M8x1.25x25
7	103263	15	ML	SIKAFLEX (NOT SHOWN)
8	104165	1	EA	BRACKET, MOTOR CONTROLLER (DMOC) MOUNTING
9	104065	1	EA	TRACTION MOTOR CONTROLLER (DMOC), PROGRAMMED
10	103679	1	EA	MOTOR CONTROLLER (DMOC) PLENUM
11	103391	1	EA	RADIAL FAN
12	103684	1	EA	BLOWER COVER
13	103675	1	EA	GROMMET, RUBBER, 1" ID, 1-1/16" WIDTH
14	103409	2	EA	HOLE PLUG
15	100410	9	EA	NUT, HEX FLANGE, CL8, M8

16	103473	22	EA	SCREW, CL4.8, M4x0.7x8
18	100408	2	EA	BOLT, HEX FLANGE HEAD, CL8.8, M8x1.25x30

2009/2010 E450 Balance Hybrid

158" wheelbase, strip chassis, air conditioning and single battery unless noted.

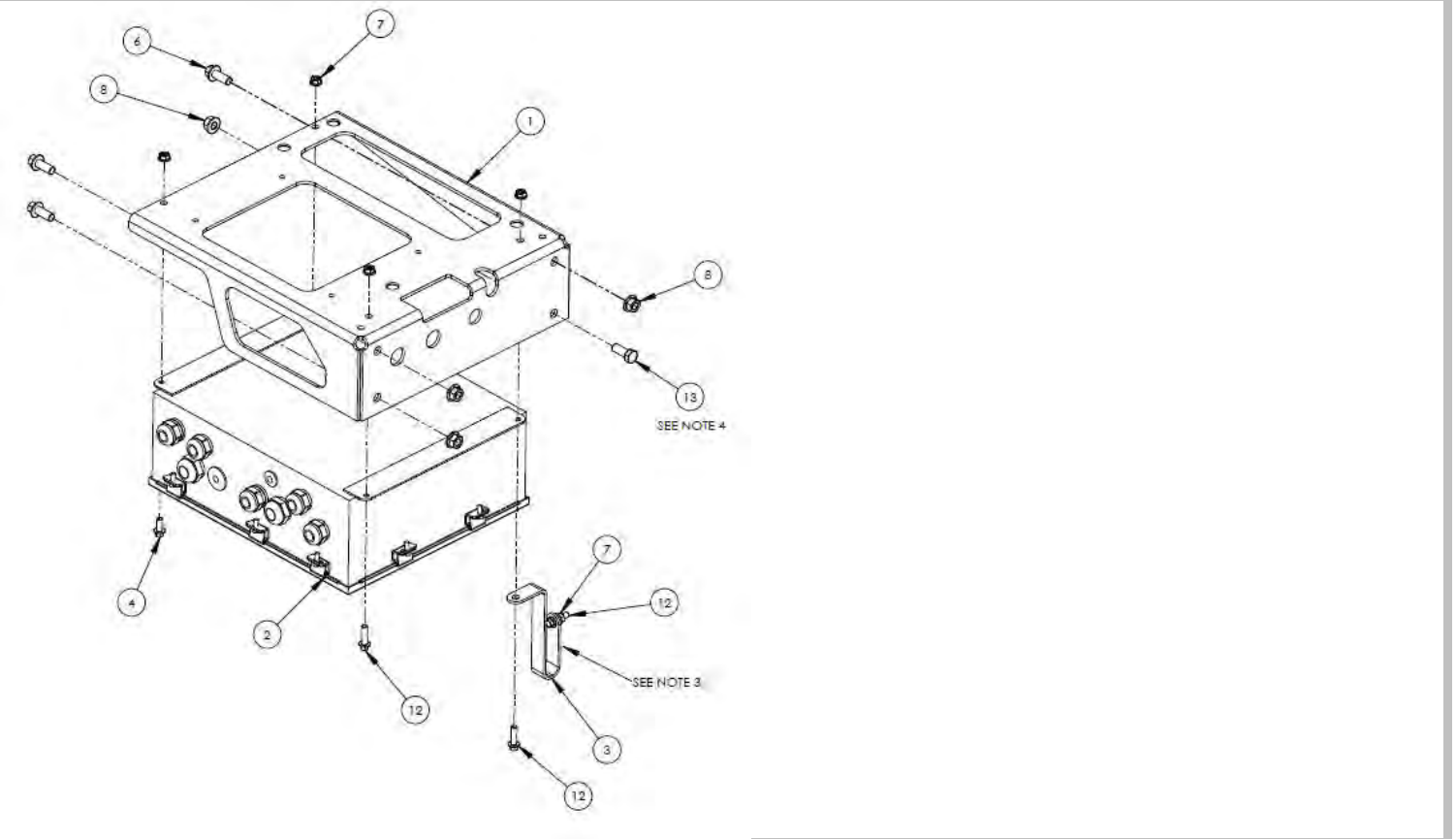


Key	PN	Qty	U/M	Description
1	103677	1	EA	BRACKET, PAS FRAME MOUNTING
2	103082	1	EA	PAS PUMP AND MOTOR
3	104064	1	EA	DMOC 145, PAS, PROGRAMMED
4	100406	4	EA	BOLT, HEX FLANGE HEAD, CL8.8, M6x1.0x20
5	100017	4	EA	BOLT, HEX FLANGE HEAD, CL8.8, M12x1.75x30
6	100409	4	EA	NUT, HEX FLANGE, CL8, M6
7	100792	4	EA	NUT, HEX FLANGE, CL8, M12
8	100773	2	EA	BOLT, HEX FLANGE HEAD, CL8.8, M8x1.25x40
9	101841	4	EA	WASHER, M20 x 40 x 3
10	100410	6	EA	NUT, HEX FLANGE, CL8, M8
11	103087	4	EA	ISOLATOR, CENTER BUSHING MOUNT
12	100485	4	EA	WASHER, SNUBBING, 1.56 x 0.391 "
13	100910	1	EA	GND STRAP-610mm 4 awg BRAIDED
14	100408	1	EA	BOLT, HEX FLANGE HEAD, CL8.8, M8x1.25x30

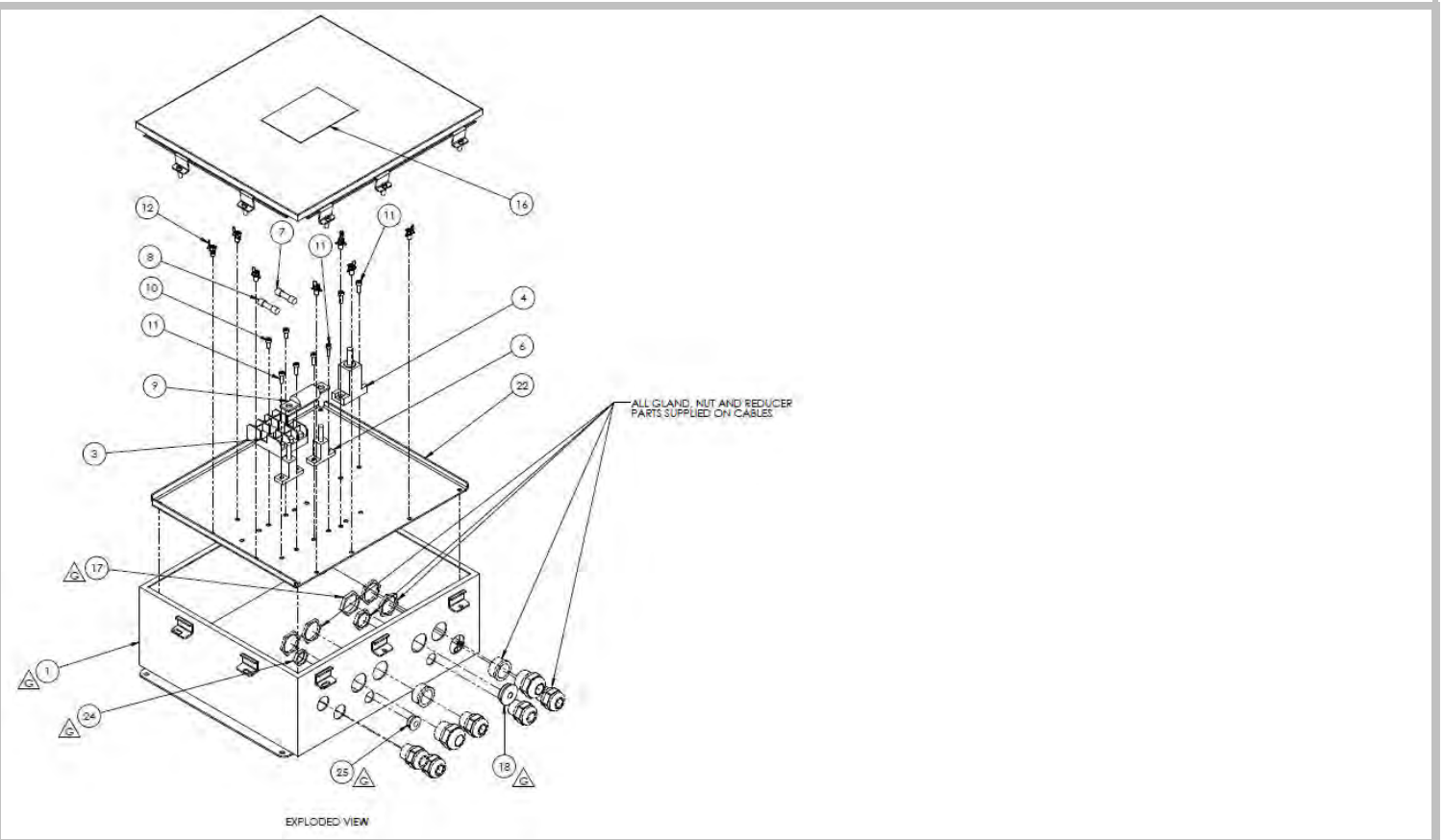
16	104363	10	mL	ANTI-OXIDANT COMPOUND (NOT SHOWN)
----	--------	----	----	-----------------------------------

2009/2010 E450 Balance Hybrid

158" wheelbase, strip chassis, air conditioning and single battery unless noted.



Key	PN	Qty	U/M	Description
1	103676	1	EA	BRACKET, JB FRAME MOUNTING
2	103058	1	EA	JUNCTION BOX
3	100909	1	EA	GND STRAP-330mm 4 awg BRAIDED
4	100407	2	EA	BOLT, HEX FLANGE HEAD, CL8.8, M8x1.25x20
6	100017	3	EA	BOLT, HEX FLANGE HEAD, CL8.8, M12x1.75x30
7	100410	5	EA	NUT, HEX FLANGE, CL8, M8
8	100792	4	EA	NUT, HEX FLANGE, CL8, M12
11	104363	10	mL	ANTI-OXIDANT COMPOUND (NOT SHOWN)
12	100408	3	EA	BOLT, HEX FLANGE HEAD, CL8.8, M8x1.25x30
13	104364	1	EA	BOLT, HEX, M12x1.75x30, CL8.8

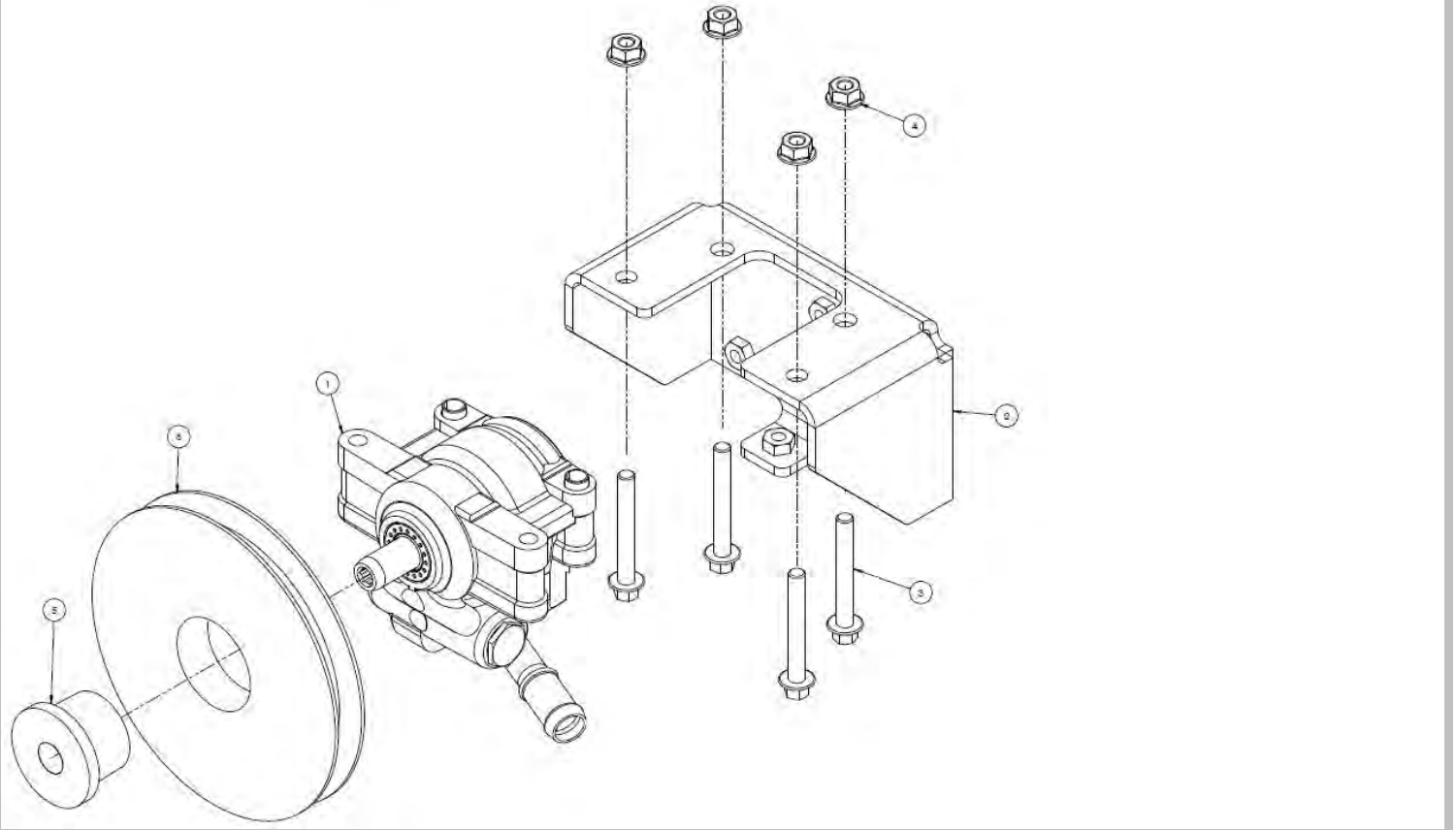


Key	PN	Qty	U/M	Description
1	104246	1	EA	MODIFIED JUNCTION BOX, 14 X 16" "
3	101253	1	EA	FUSE HOLDER, 3 POS, 600V, 30A, BM SERIES
4	100665	1	EA	MOUNTING STUD, HV, 3/8 INCH
6	103119	2	EA	MOUNTING STUD,HV, 1/4 INCH,
7	102956	1	EA	FUSE, TUBE, 15A, CERAMIC, TIME DELAY
8	103129	1	EA	FUSE, TUBE, 25A, CERAMIC
9	103130	1	EA	FUSE, STUD MOUNT, 80 A
10	101401	2	EA	SHCS, M5x0.8x12, CL8.8
11	100881	6	EA	SHCS, M5x0.8x16, CL8.8
12	101128	7	EA	FIR TREE PUSH MOUNT TIE, .25 HOLE "
13	101369	5	EA	TIE STRAP -4 LONG -0.1" WIDE (NOT SHOWN) "
14	100996	13	EA	LABEL, WHITE [SHOWN ON SHEET 3]
16	100862	1	EA	LABEL, WARNING, HIGH VOLTAGE, 5x3.5" "
17	104374	1	EA	LOCKNUT, GLAND, M32

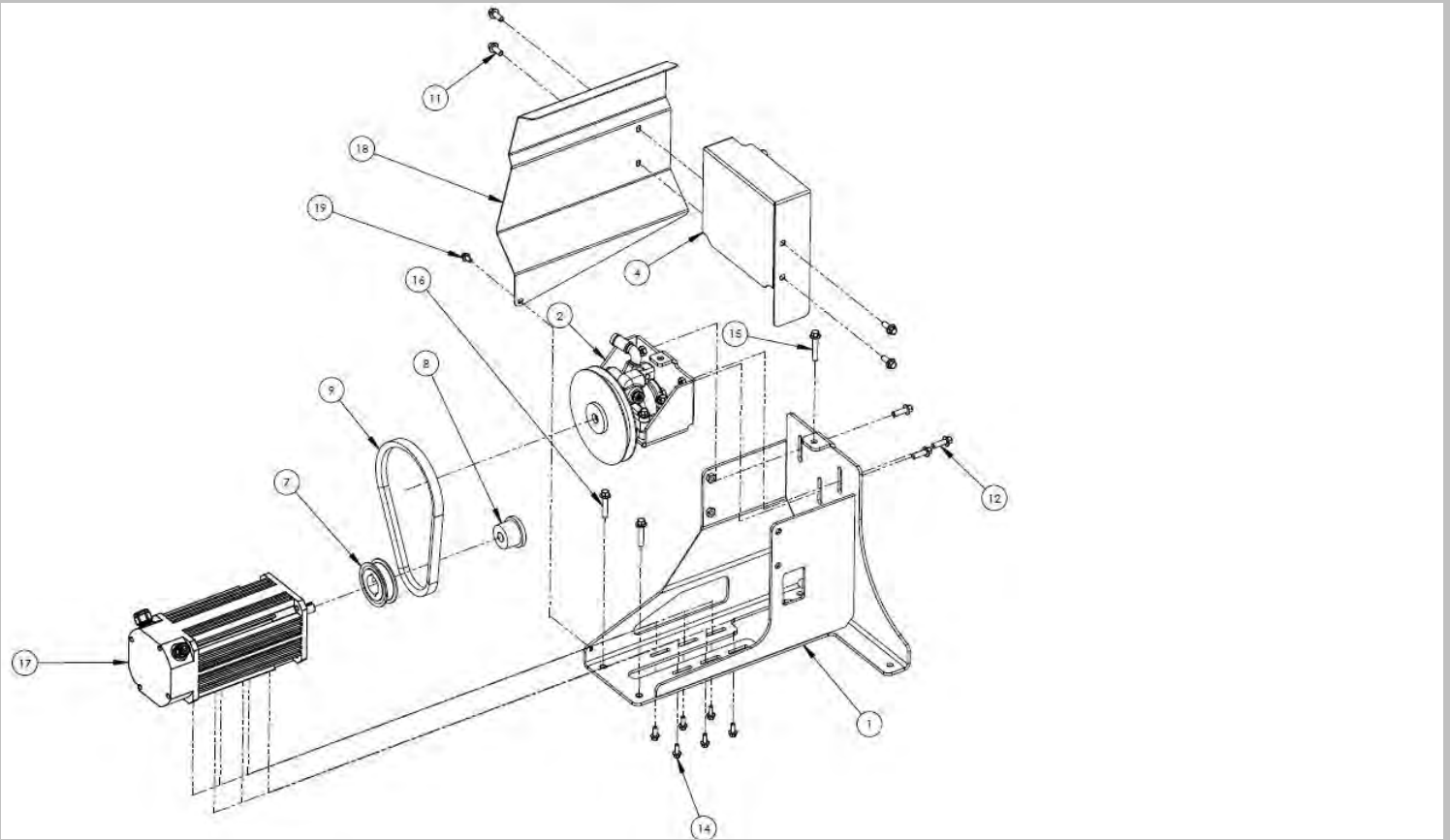
18	104373	1	EA	PLUG, BLANK, M32, WITH O-RING
19	101367	1	EA	HRNS,JNCT BOX TO LID,BONDING (NOT SHOWN)
20	102800	1	EA	HRNS, HV , HV JUNCTION BOX, P1 (NOT SHOWN)
22	103821	1	EA	MOUNT PLATE, JUNCTION BOX, FLANGED
23	100888	1	EA	NUT, HEX FL, CL8, NYLOC, M5X0.8 (NOT SHOWN)
24	103200	1	EA	LOCKNUT, GLAND, M20
25	103750	1	EA	PLUG, BLANK, M20, WITH O-RING

2009/2010 E450 Balance Hybrid

158" wheelbase, strip chassis, air conditioning and single battery unless noted.



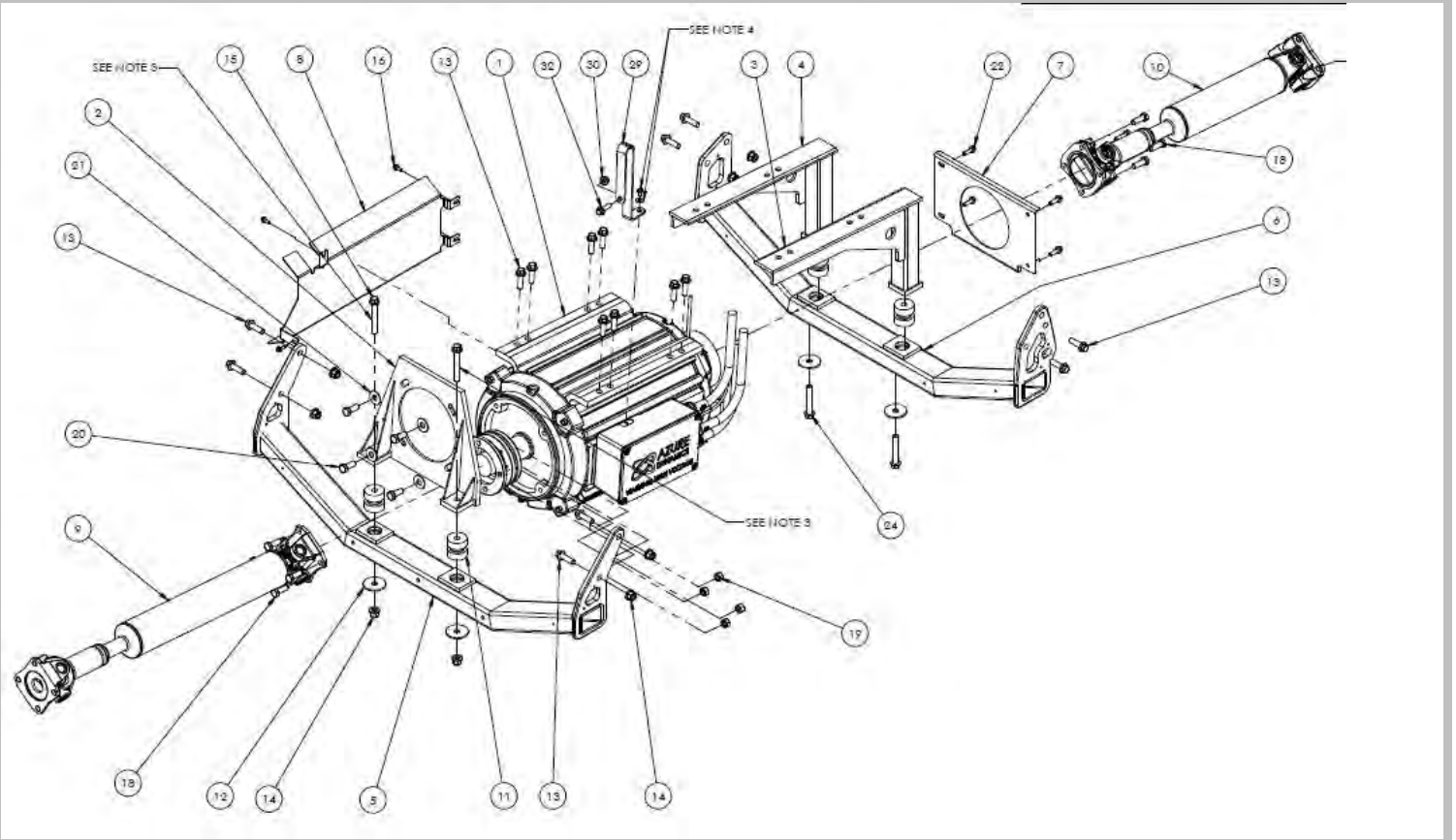
Key	PN	Qty	U/M	Description
1	102907	1	EA	PUMP FORD OEM
2	103402	1	EA	BRACKET, PUMP CARRIER
3	101883	4	EA	BOLT, HEX FLANGE HEAD, CL8.8, M8x1.25x60
4	100410	4	EA	NUT, HEX FLANGE, CL8, M8
5	103060	1	EA	BUSHING, H-TYPE TAPER, 16 mm BORE
6	103250	1	EA	PULLEY, 6.25 OD A-SECTION BUSH BORE "



Key	PN	Qty	U/M	Description
1	104500	1	EA	BRACKET, POWER STEERING
2	103071	1	EA	ELECTRONIC POWER ASSIST System ( EPAS) PUMP AND CARRIER
4	104322	1	EA	COVER, POWER STEERING
7	103067	1	EA	PULLEY, 3.45 OD A-SECTION BUSHING BORE "
8	103068	1	EA	BUSHING, H-TYPE, 5/8 BORE "
9	103251	1	EA	BELT, COGGED, AX-SECTION, 27.2 OD "
11	100407	4	EA	BOLT, HEX FLANGE HEAD, CL8.8, M8x1.25x20
12	100772	3	EA	BOLT, HEX FLANGE HEAD, CL8.8, M8x1.25x25
14	101199	6	EA	BOLT, HEX FLANGE HEAD, CL8.8, M6x1.0x16
15	101882	1	EA	BOLT, HEX FLANGE HEAD, CL8.8, M8x1.25x45
16	100773	2	EA	BOLT, HEX FLANGE HEAD, CL8.8, M8x1.25x40
17	103829	1	EA	MOTOR, HV, 2.5kW, DMOC 145 CONNS
18	104465	1	EA	SHIELD PAS MOTOR AND PUMP
19	104488	1	EA	BOLT, THD FORMING, M6x12, HEX FLNG

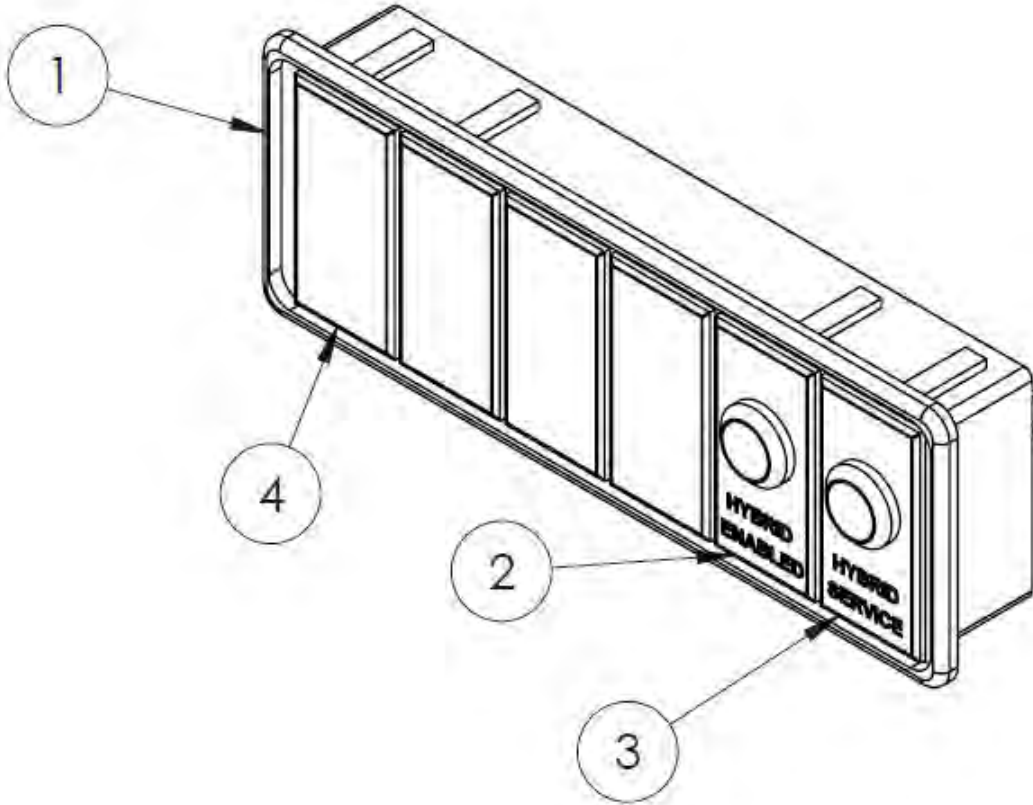
2009/2010 E450 Balance Hybrid

158" wheelbase, strip chassis, air conditioning and single battery unless noted.



Key	PN	Qty	U/M	Description
1	103399	1	EA	TRACTION MOTOR
1	104072	1	EA	HEAT SHIELD, AC90D
2	103392	1	EA	BRACKET - C-FACE
2	102936	1	EA	DRIVESHAFT - FRONT
3	102937	1	EA	DRIVESHAFT - REAR 158 WB
3	103393	1	EA	BRACKET - FOOT MOUNT LEFT
4	103394	1	EA	BRACKET - FOOT MOUNT RIGHT
4	100110	4	EA	ISOLATOR, UNIVERSAL MOUNT, 275lb
5	100225	4	EA	WASHER, SNUBBING, 2.13" x 0.532"
6	100785	16	EA	BOLT, HEX FLANGE HEAD, CL8.8, M12x1.75x40
6	104250	1	EA	BRACKET, CROSS MEMBER, FRONT
7	100796	8	EA	NUT, HEX FL, CL8, NYLOC, M12x1.75
7	104251	1	EA	BRACKET, CROSS MEMBER REAR
8	100788	2	EA	BOLT, HEX FLANGE HEAD, CL8.8, M12x1.75x90

8	103241	1	EA	BRACKET - FOOT MOUNT STIFFENER
9	101199	4	EA	BOLT, HEX FLANGE HEAD, CL8.8, M6x1.0x16
10	103121	8	EA	BOLT, HEX, 12.9, M12x1.75x35
11	103122	4	EA	NUT, HEX, CL [12], M12
12	103291	4	EA	BOLT, HEX HEAD, GR5, 1/2"-13x1.25"
13	103292	4	EA	WASHER, FLAT, HS, 1/2"
14	100772	4	EA	BOLT, HEX FLANGE HEAD, CL8.8, M8x1.25x25
15	100876	25	mL	THREADLOCKER, REMOVABLE STRENGTH (NOT SHOWN)
16	101892	2	EA	BOLT, HEX FLANGE HEAD, CL8.8, M12x1.75x80
17	100910	1	EA	GND STRAP-610mm 4 awg BRAIDED
18	103088	1	EA	NUT, HEX FLANGE, CL10, M10X1.5
19	101886	1	EA	BOLT, HEX FLANGE HEAD, CL8.8, M10x1.5x35
20	104363	10	mL	ANTI-OXIDANT COMPOUND (NOT SHOWN)
21	103458	50	mL	GREASE, EP2, LITHIUM SOAP (NOT SHOWN)

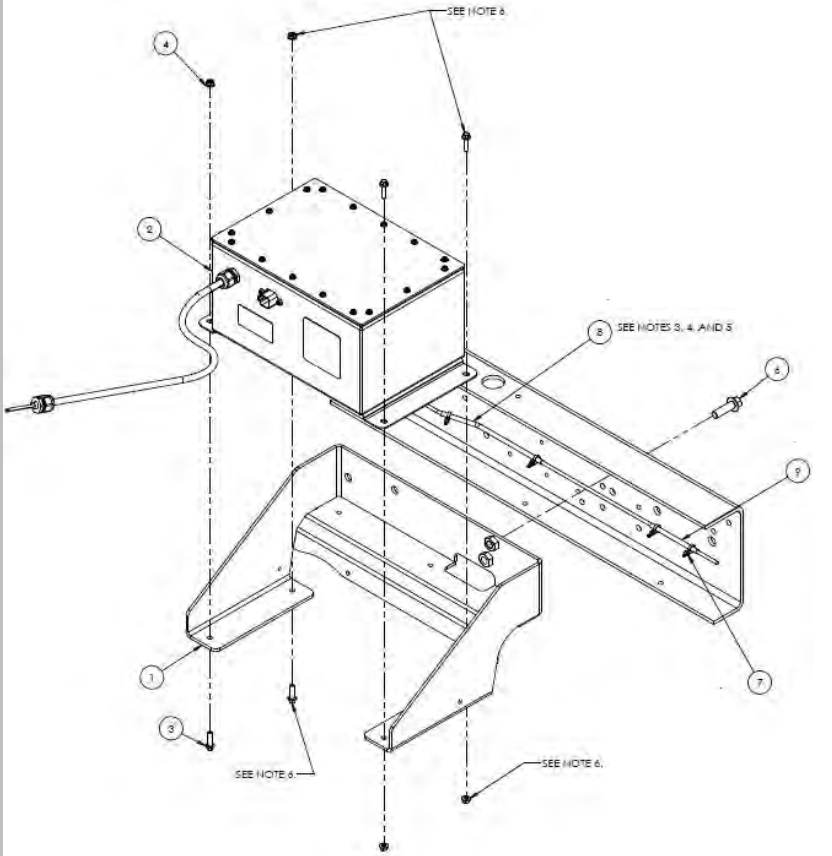


Key	PN	Qty	U/M	Description
1	103145	1	EA	6 POSITION MOUNTING PANEL
2	103161	1	EA	HYBRID ENABLED LED ASSEMBLY
3	103160	1	EA	HYBRID SERVICE LED ASSEMBLY
4	103146	4	EA	MOUNTING PANEL PLUG

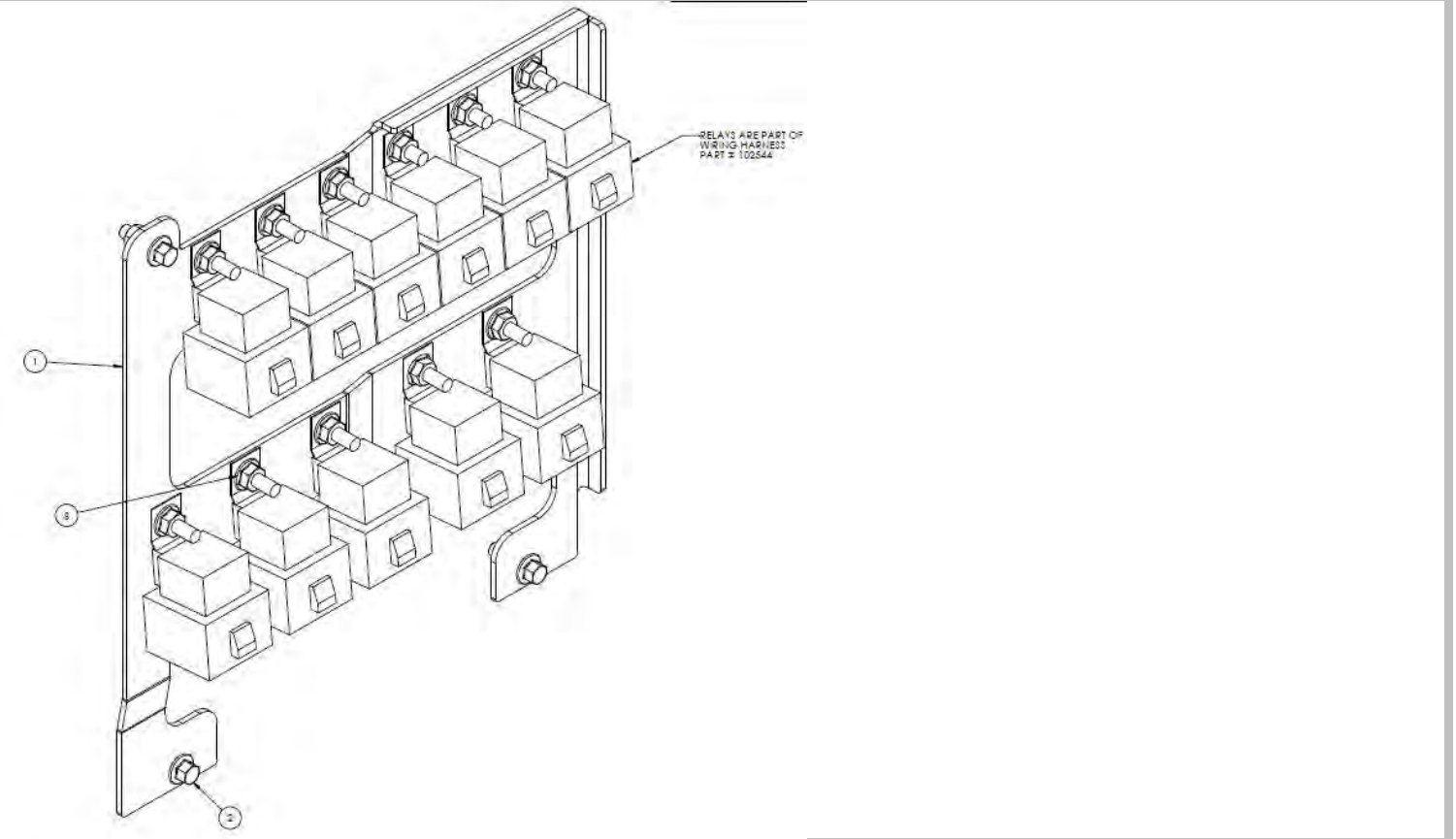


Key	PN	Qty	U/M	Description
13	103292	6	EA	WASHER, FLAT, HS, 1/2"
15	100909	2	EA	GND STRAP, BRAIDED, 4AWGX24"X3/8"
16	100777	4	EA	BOLT, HEX FLANGE HEAD, CL8.8, M10x1.5x30
17	104032	1	EA	WASHER, DMOC OUTRIGGER, RECTANGULAR
18	103910	1	EA	BOLT PLATE, DMOC OUTRIGGER RR
19	104031	1	EA	BOLT PLATE, DMOC OUTRIGGER FR
20	104033	1	EA	PLATE, FR OUTRIGGER, DMOC
21	104035	2	EA	BOLT, HEX FLANGE, M12x1.75x45, 10.9
22	103922	2	EA	NUT, HEX FLANGE, CL10, M12x1.75
23	104042	1	EA	BOLT, HEX HEAD, 10.9, M14x2.0x60
24	103926	1	EA	NUT, HEX, NYLOC, CL10, M14x2.0
25	100878	14	mL	THREADLOCKER, PERMANENT STRENGTH (NOT SHOWN)
26	104363	10	mL	ANTI-OXIDANT COMPOUND (NOT SHOWN)
35	102853	1	EA	DMOC ASSEMBLY

36	103915	1	EA	OUTRIGGER, DMOC
37	103491	1	EA	SPLASH SHIELD, DMOC
38	104020	4	EA	BOLT, HEX FLANGE, M10x1.5x45, 10.9
39	103088	4	EA	NUT, HEX FLANGE, CL10, M10X1.5
40	101199	3	EA	BOLT, HEX FLANGE, M6x1.0x16, CL8.8
41	103913	1	EA	OUTRIGGER, DMOC, HARD MT, REAR
42	100410	2	EA	NUT, HEX FLANGE, CL8, M8



Key	PN	Qty	U/M	Description
1	103930	1	EA	BRACKET SATCON DC/DC
2	103830	1	EA	CONVERTER, 300V-14VDC, 120A, MOD
3	100770	4	EA	BOLT, HEX FLANGE HEAD, CL8.8, M6x1.0x25
4	100409	4	EA	NUT, HEX FLANGE, CL8, M6
6	100785	1	EA	BOLT, HEX FLANGE HEAD, CL8.8, M12x1.75x40
7	101066	4	EA	TIE STRAP, 11 x 0.15" "
8	104457	30	cm	HOSE, FUEL LINE, MODIFIED
9	104457	20	cm	HOSE, FUEL LINE, MODIFIED



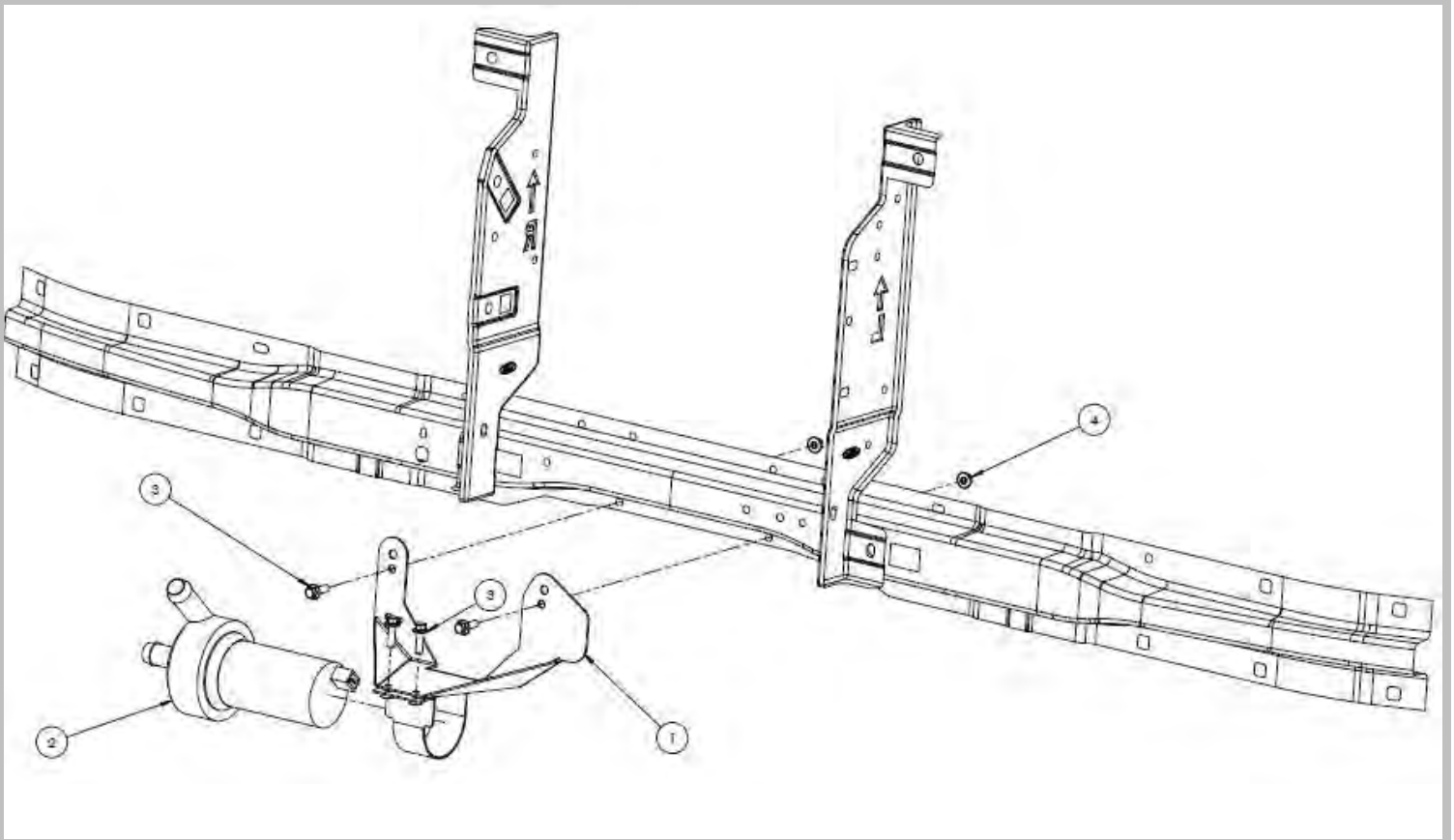
Key	PN	Qty	U/M	Description
1	103405	1	EA	BRACKET RELAY STEPVAN
2	100406	3	EA	BOLT, HEX FLANGE HEAD, CL8.8, M6x1.0x20
3	100409	14	EA	NUT, HEX FLANGE, CL8, M6

2009/2010 E450 Balance Hybrid

158" wheelbase, strip chassis, air conditioning and single battery unless noted.

Illustration Is Not Required

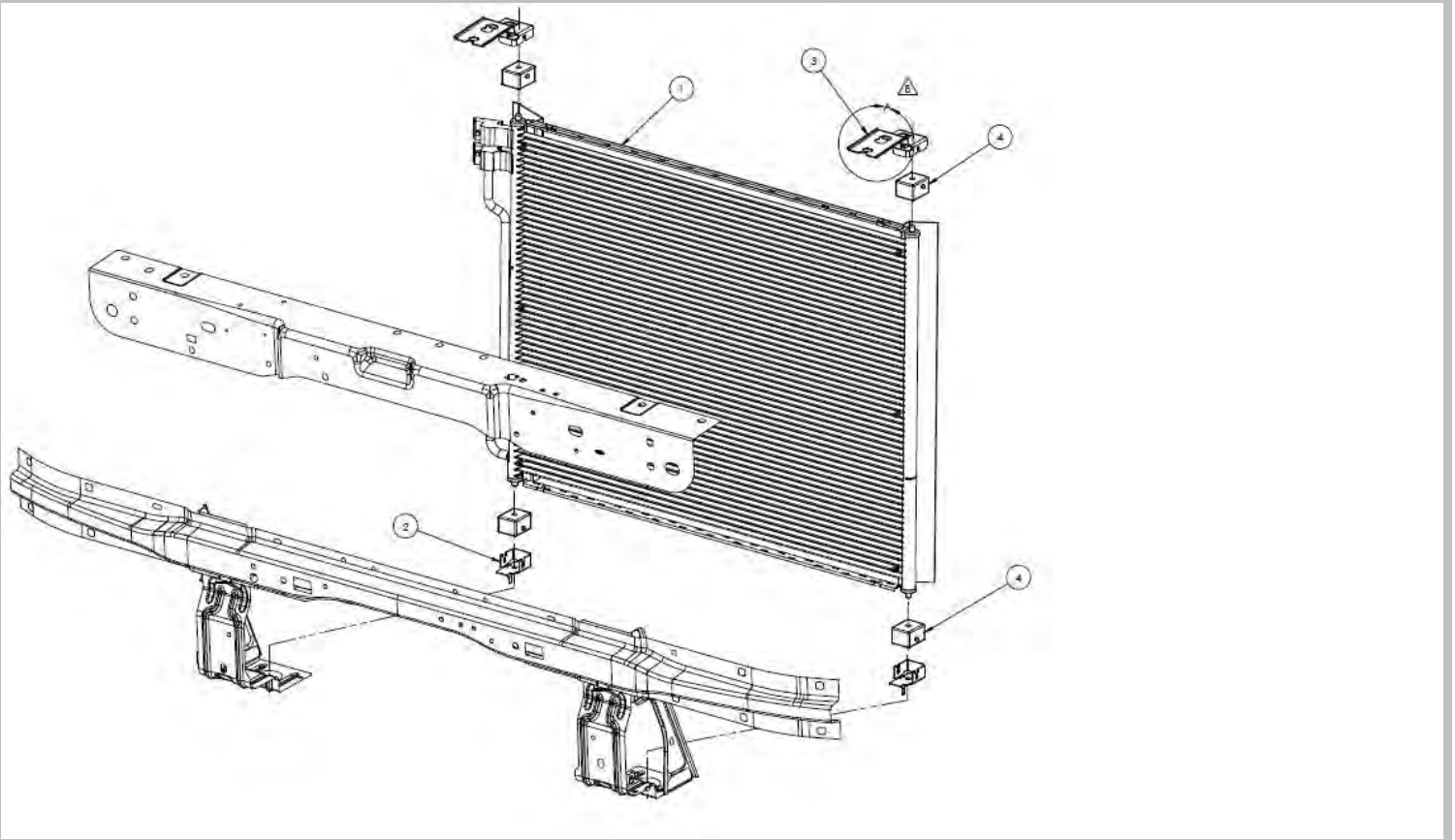
Key	PN	Qty	U/M	Description
1	103231	1	L	Coolant, Engine, Gold, Motorcraft
2	103232	0	L	Oil, Engine, SAE 5W-20, Synthetic
3	103233	0	L	Fluid, Automatic Transmission
4	103234	2	L	Fluid, Power Steering -MERCON« V
5	104155	7	L	Coolant, Dex-Cool, Prediluted, 50/50



Key	PN	Qty	U/M	Description
1	103384	1	EA	BRACKET MODIFICATION, COOLANT PUMP
2	102962	1	EA	PUMP, BOSCH, 12V, 15L/min
3	100406	4	EA	BOLT, HEX FLANGE HEAD, CL8.8, M6x1.0x20
4	100409	2	EA	NUT, HEX FLANGE, CL8, M6

2009/2010 E450 Balance Hybrid

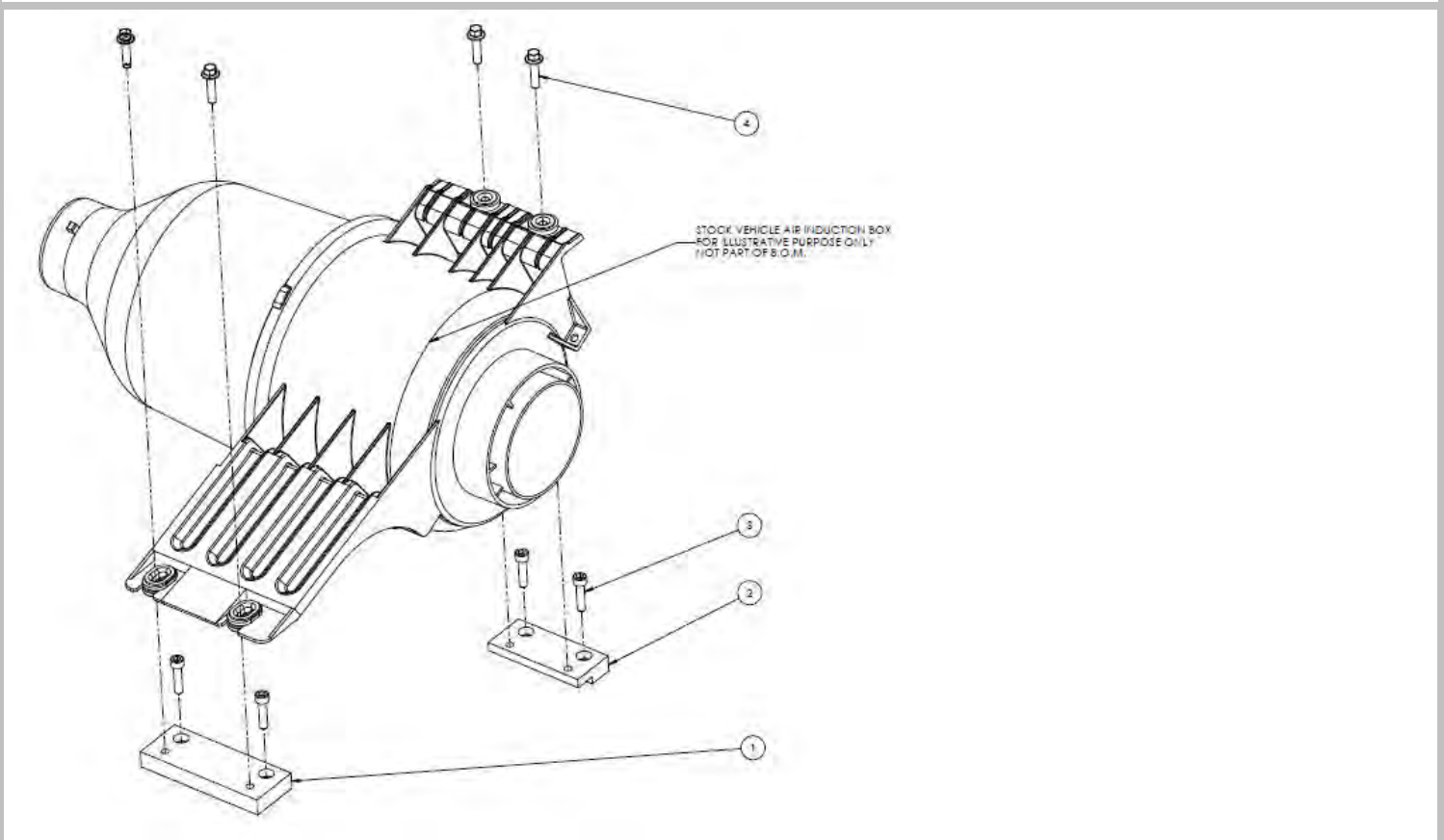
158" wheelbase, strip chassis, air conditioning and single battery unless noted.



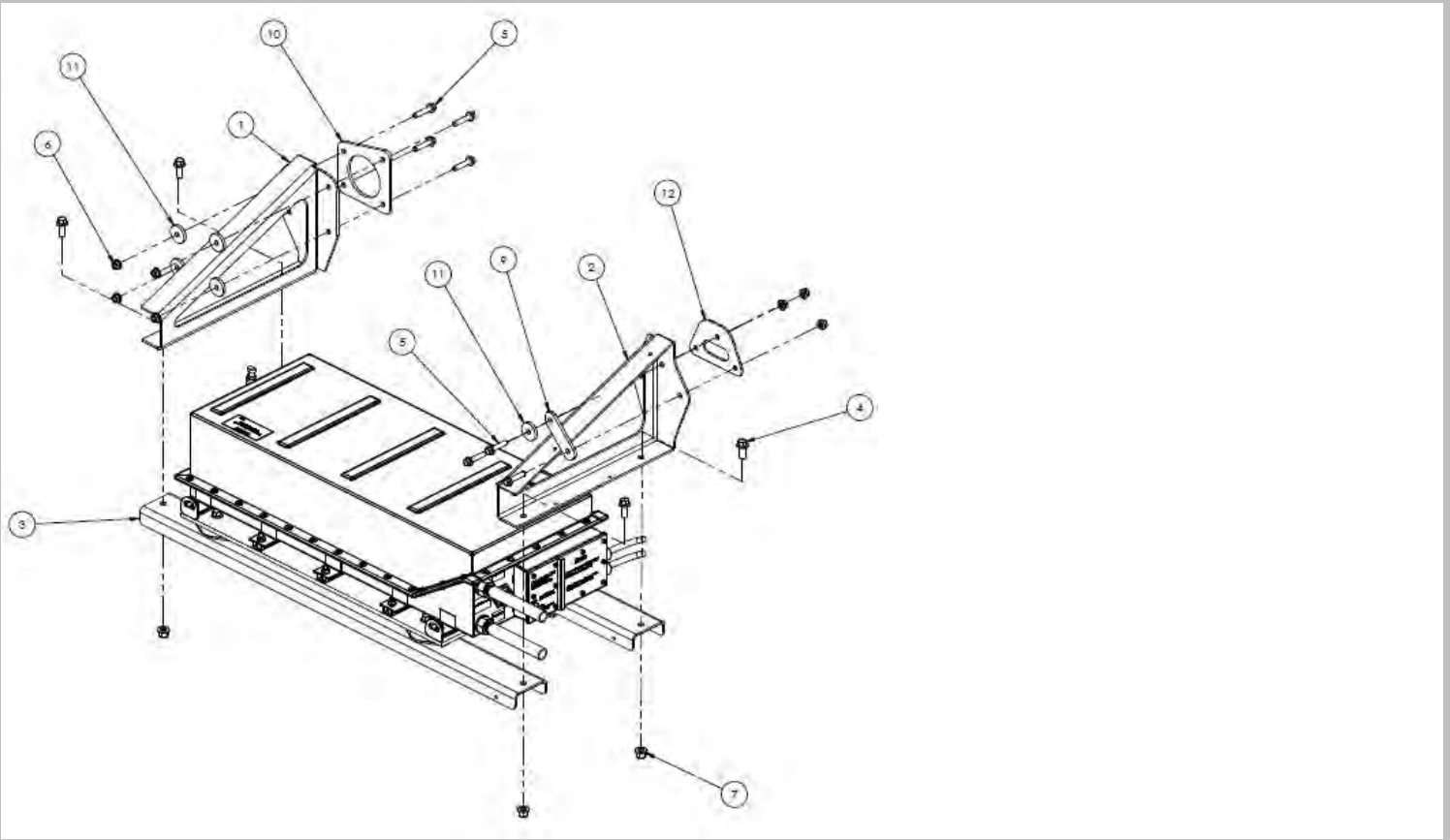
Key	PN	Qty	U/M	Description
1		1	EA	CONDENSER, FORD OEM
2	103257	2	EA	MOUNT, CONDENSER, LOWER
3	103258	2	EA	MOUNT MODIFICATION, CONDENSER, UPPER
4		4	EA	ISOLATOR, CONDENSER, FORD OEM

2009/2010 E450 Balance Hybrid

158" wheelbase, strip chassis, air conditioning and single battery unless noted.



Key	PN	Qty	U/M	Description
1	103503	1	EA	BRACKET, AIR INDUCTION, FRONT
2	103504	1	EA	BRACKET, AIR INDUCTION, REAR
3	103316	4	EA	SHCS, CL 8.8, M6x1x25
4	100770	4	EA	BOLT, HEX FLANGE HEAD, CL8.8, M6x1.0x25

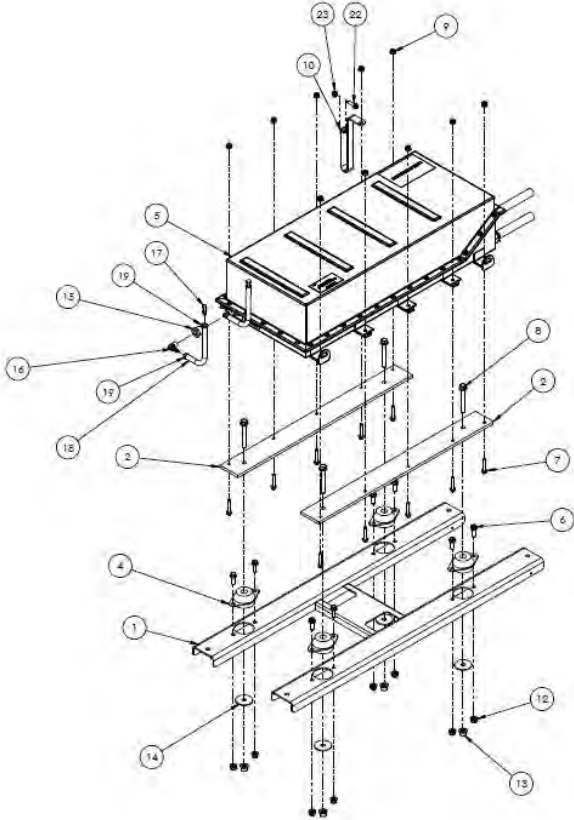


Key	PN	Qty	U/M	Description
22	103478	1	EA	OUTRIGGER RR, BATTERY ISOLATED
23	103477	1	EA	OUTRIGGER FR, BATTERY ISOLATED
24	103479	1	EA	ASSEMBLY, ISOLATED BATTERY & RAIL
25	100017	4	EA	BOLT, HEX FLANGE HEAD, CL8.8, M12x1.75x30
26	104020	7	EA	BOLT, HEX FLANGE, M10x1.5x45, 10.9
27	103088	7	EA	NUT, HEX FLANGE, CL10, M10X1.5
28	100796	4	EA	NUT, HEX FL, CL8, NYLOC, M12x1.75
29	104363	10	mL	ANTI-OXIDANT COMPOUND (NOT SHOWN)
30	104015	1	EA	BOLT SPACER, FR OUTRIG, BATTERY
31	104016	1	EA	PLATE,RR OUTRIGGER, BATTERY
32	104018	5	EA	SPACER, BOLT CIRCULAR
33	104017	1	EA	PLATE,FR OUTRIGGER, BATTERY
34	100878	14	mL	THREADLOCKER, PERMANENT STRENGTH (NOT SHOWN)



2009/2010 E450 Balance Hybrid

158" wheelbase, strip chassis, air conditioning and single battery unless noted.

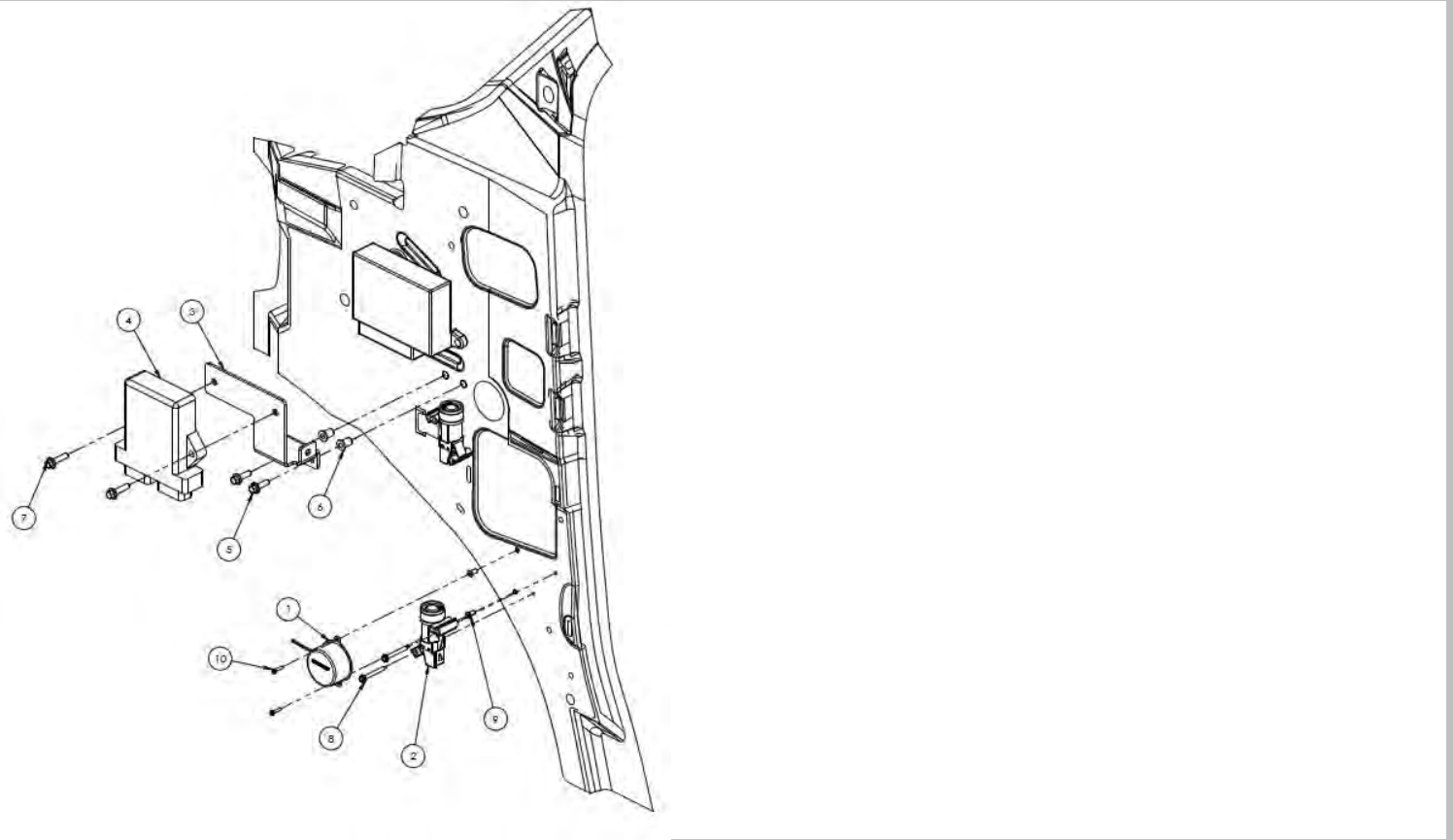


Key	PN	Qty	U/M	Description
1	103772	1	EA	TRAY, BATTERY, ISOLATED
2	103770	2	EA	RAIL, BATTERY, ISOLATED
4	103499	4	EA	ISOLATOR, 40-270 LBS, NATURAL RUBBER
5	101020	1	EA	ENERGY STORAGE SYSTEM (ESS)
6	100777	8	EA	BOLT, HEX FLANGE HEAD, CL8.8, M10x1.5x30
7	101882	10	EA	BOLT, HEX FLANGE HEAD, CL8.8, M8x1.25x45
8	100788	4	EA	BOLT, HEX FLANGE HEAD, CL8.8, M12x1.75x90
9	100794	10	EA	NUT, HEX FL, CL8, NYLOC, M8x1.25
10	100910	1	EA	GND STRAP-610mm 4 awg BRAIDED
11	104363	10	ML	ANTI-OXIDANT COMPOUND, GNDS (NOT SHOWN)
12	100795	8	EA	NUT, HEX FL, CL8, NYLOC, M10x1.5
13	100796	4	EA	NUT, HEX FL, CL8, NYLOC, M12x1.75
14	100225	4	EA	WASHER, SNUBBING, 2.13" x 0.532"
15	101910	1	EA	ADAPTER, REDUCING, 3/4 NPTM TO 3/8 NPTF

16	102111	1	EA	COUPLER, 3/8 NPT TO 5/16", 90 ELBOW
17	101913	1	EA	VENT VALVE, 5/16" TUBE
18	101947	1	EA	HOSE, ELBOW, 90, MOLDED, 5/16" TUBE
19	103368	2	EA	CLAMP, HOSE, CT HC, 15.5/16.3
20	100879	5	ML	THREAD SEALANT, PIPE (NOT SHOWN)
21	101110	1	EA	CONNECTOR, 90DEG, COOLING, NiMH PAC (NOT SHOWN)
22	100408	1	EA	BOLT, HEX FLANGE HEAD, CL8.8, M8x1.25x30
23	100410	1	EA	NUT, HEX FLANGE, CL8, M8

2009/2010 E450 Balance Hybrid

158" wheelbase, strip chassis, air conditioning and single battery unless noted.

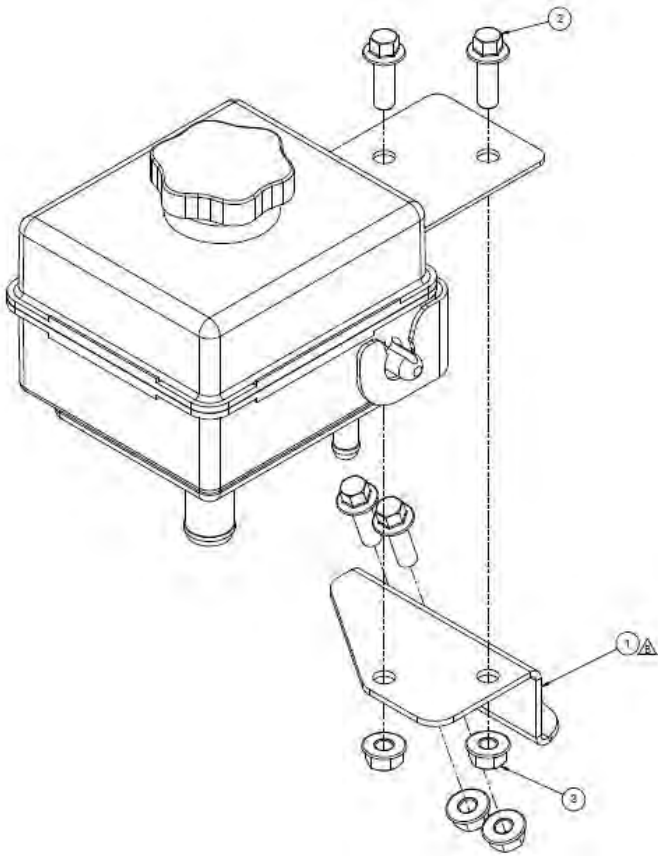


Cutaway, Shuttle Bus

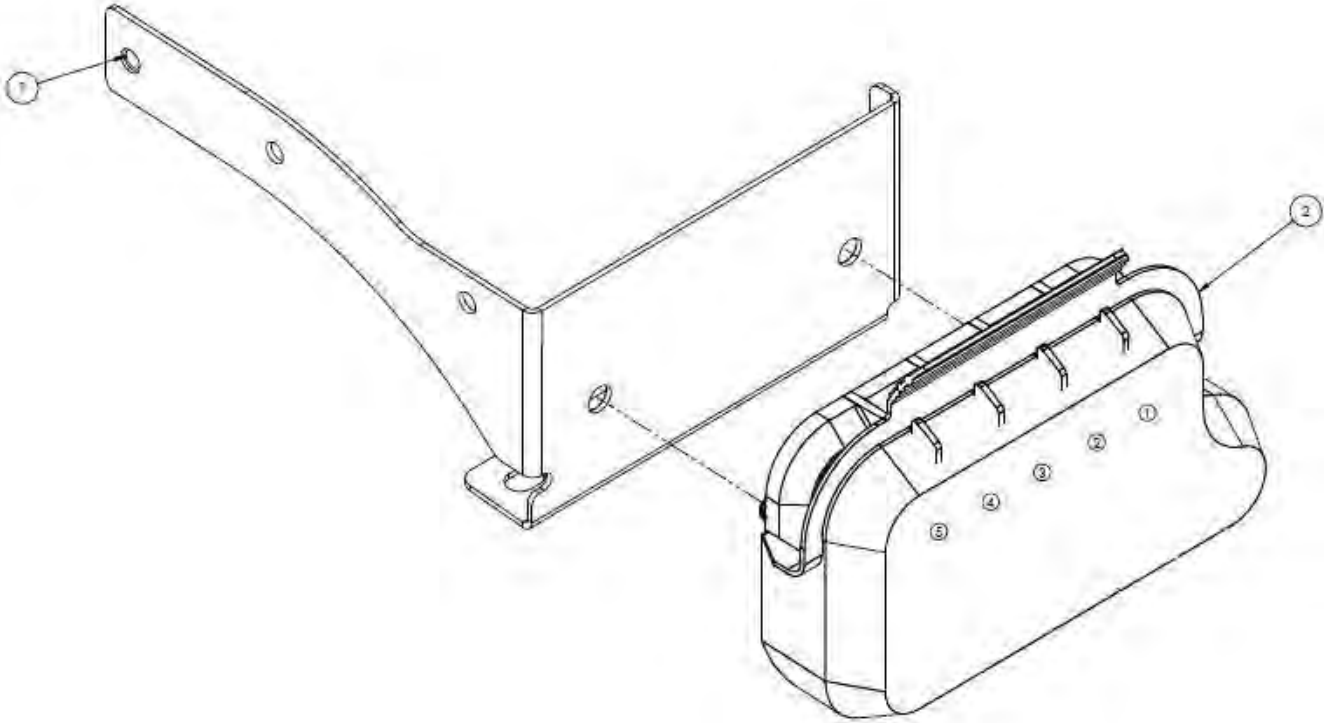
Key	PN	Qty	U/M	Description
1	103407	1	EA	ASSEMBLY,INCLINOMETERMODIFIED,P1
2	103724	1	EA	SWITCH,INERTIA,13-17g(30ms),YEL
3	103765	1	EA	BRACKET,PWM
4	103632	1	EA	CONVERTER,PWMTOANALOG,LV
5	100406	2	EA	BOLT,HEXFLANGEHEAD,CL8.8,M6x1.0x2
6	101035	2	EA	RIVETNUT,BLIND,M6(FABORY691026PO3
7	100770	2	EA	BOLT,HEXFLANGEHEAD,CL8.8,M6x1.0x2
8	103764	2	EA	SCREW,HEXWSHRHD,M4.2x1.41x38
9	103763	2	EA	RIVETNUT,BLIND,M3(FABORY691253PO3
10	101914	2	EA	SCREW,PHILLIPSPANHEADM3x12

2009/2010 E450 Balance Hybrid

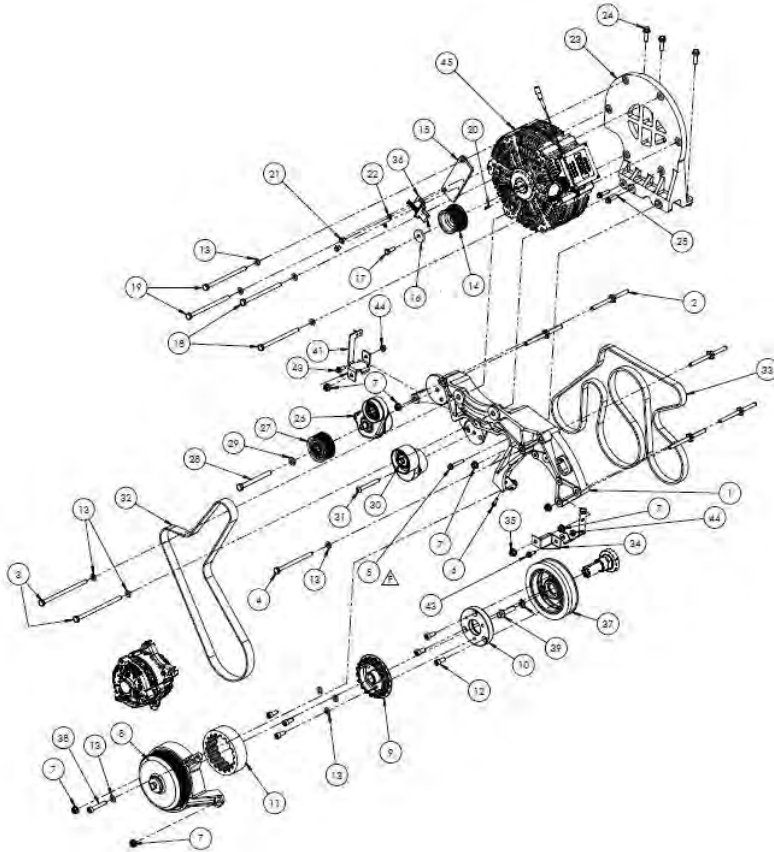
158" wheelbase, strip chassis, air conditioning and single battery unless noted.



Key	PN	Qty	U/M	Description
1	103990	1	EA	BRACKET, PS RESERVOIR STEP VAN
2	100772	4	EA	BOLT, HEX FLANGE HEAD, CL8.8, M8x1.25x25
3	100410	4	EA	NUT, HEX FLANGE, CL8, M8



Key	PN	Qty	U/M	Description
1	104157	1	EA	BRACKET, HIGH CURRENT FUSE BOX
2	103205	1	EA	FUSE BOX, LV, 5 POSITION, MEGA
5	103206	1	EA	FUSE, 80 A, AMG SERIES (LOCATION SHOWN ONLY - F39)
6	103207	2	EA	FUSE, 150 A, AMG SERIES (LOCATIONS SHOWN ONLY - F35 AND F36)



Key	PN	Qty	U/M	Description
1	103415	1	EA	CROSSOVER BRACKET
2	103416	5	EA	CROSSOVER STUD
3	103662	2	EA	BOLT HEX HEAD M10x1.5x180 10.9
4	103664	1	EA	BOLT HEX HEAD M10x1.5x140 10.9
5	104417	1	EA	BOLT HEX FLANGE M8x1.25x50 10.9
6	103421	1	EA	BOLT HEX HEAD M6x1.0x25 8.8
7	103088	7	EA	NUT HEX FLANGE CL10 M10X1.5
8	103427	1	EA	SPIDER BRACKET ASSEMBLY
9	103428	1	EA	SPIDER SPROCKET ASSEMBLY
10	103429	1	EA	SPIDER FLANGE
11	103430	1	EA	SPIDER COUPLING
12	103655	6	EA	SHCS M10x1.5 x 25 CL12.9
13	100803	11	EA	WASHER M10
14	103433	1	EA	PULLEY ASSEMBLY

15	104276	1	EA	LITENS SENSOR BRACKET
16	103435	1	EA	AURA WASHER 3/8" x 1.5 x 3/8" THK
17	103658	1	EA	BOLT HEX HEAD 3/8-24x1"UNFG8
18	103665	2	EA	BOLT HEX HEAD M10x1.5x150 10.9
19	103663	2	EA	BOLT HEX HEAD M10x1.5x160 10.9
20	103659	1	EA	KEY WOODRUFF #505
21	103660	2	EA	BOLT HEX HEAD 1/4-20x1/2"UNCGR8
22	103661	2	EA	WASHER FLAT NARROW 1/4"
23	103442	1	EA	LITENS MOTOR BRACKET
24	103654	3	EA	BOLT HEX FLANGE M10x1.5x35 10.9
25	103652	2	EA	BOLT HEX FLANGE M8x1.25x35 10.9
26	103445	1	EA	DERAILLEUR TENSIONER
27	103446	1	EA	IDLER ASSEMBLY - LEFT SIDE TENSIONER
28	104231	1	EA	BOLT HEX HEAD M12x1.75x120 10.9
29	101897	1	EA	WASHER M12

2009/2010 E450 Balance Hybrid

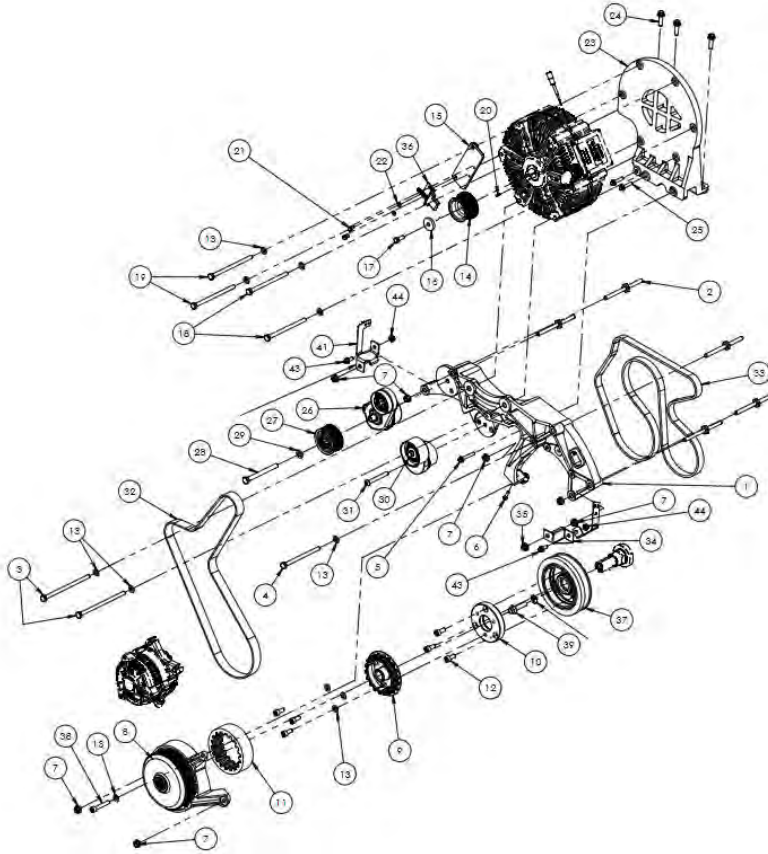
158" wheelbase, strip chassis, air conditioning and single battery unless noted.

30	103449	1	EA	TENSIONER - RIGHT SIDE
31	103657	1	EA	BOLT BUTTON HEAD SHCS M10x1.5x80
32	103451	1	EA	BELT-BAS DRIVE
33	103452	1	EA	BELT AC DRIVE
34	103363	1	EA	BRACKET ISG AUXILIARY MOUNT
35	100795	1	EA	NUT HEX FL CL8 NYLOC M10x1.5
36	103457	1	EA	SENSOR ASSEMBLY
37	103516	1	EA	ASSY CRANK SHAFT VIB DMPR
38	103656	1	EA	SHCS M10x1.5 x 60 CL12.9
39	103641	1	EA	BOLT STRETCH FORD M12x1.5x48
41	104166	1	EA	BRACKET ISG AUXILIARY MOUNT
42	100876	15	mL	THREADLOCKER REMOVABLE STRENGTH (NOT SHOWN)
43	100407	2	EA	BOLT HEX FLANGE HEAD CL8.8 M8x1.25x20
44	100410	2	EA	NUT HEX FLANGE CL8 M8
45	104363	20	mL	ANTI-OXIDANT COMPOUND (NOT SHOWN)

46	103783	1	EA	INTEGRATED STARTER GENERATOR (ISG)
----	--------	---	----	------------------------------------

2009/2010 E450 Balance Hybrid

158" wheelbase, strip chassis, air conditioning and single battery unless noted.



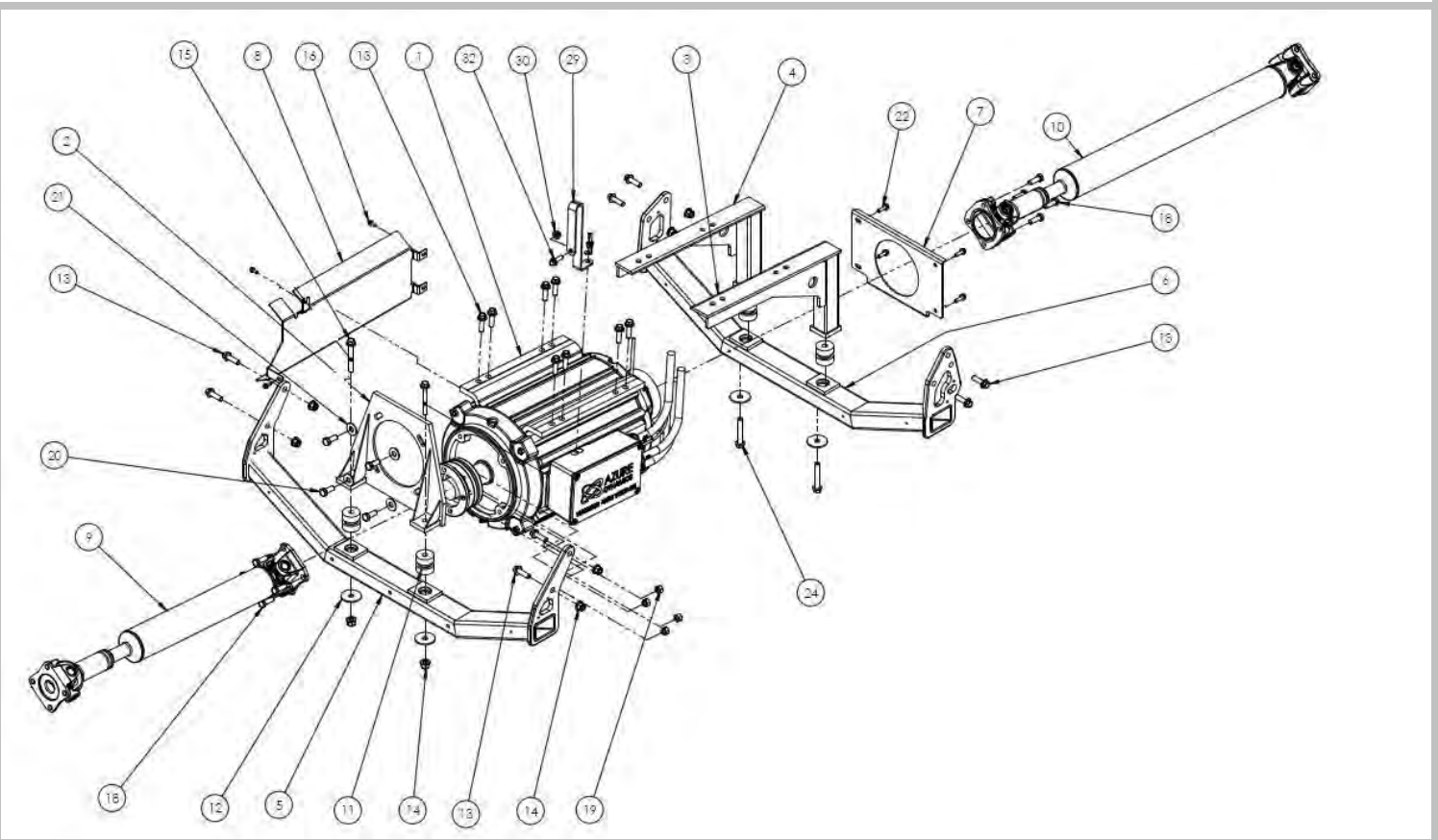
Non Air Conditioned

Key	PN	Qty	U/M	Description
1	103415	1	EA	CROSSOVER BRACKET
2	103416	5	EA	CROSSOVER STUD
3	103662	2	EA	BOLT, HEX HEAD, M10x1.5x180, 10.9
4	103664	1	EA	BOLT, HEX HEAD, M10x1.5x140, 10.9
5	104417	1	EA	BOLT, HEX FLANGE, M8x1.25x50, 10.9
6	103421	1	EA	BOLT, HEX HEAD, M6x1.0x25, 8.8
7	103088	7	EA	NUT, HEX FLANGE, CL10, M10X1.5
8	103427	1	EA	SPIDER BRACKET ASSEMBLY
9	103428	1	EA	SPIDER SPROCKET ASSEMBLY
10	103429	1	EA	SPIDER FLANGE
11	103430	1	EA	SPIDER COUPLING
12	103655	6	EA	SHCS, M10x1.5 x 25, CL12.9
13	100803	11	EA	WASHER, M10
14	103433	1	EA	PULLEY ASSEMBLY

15	104276	1	EA	LITENS SENSOR BRACKET
16	103435	1	EA	AURA WASHER 3/8" x 1.5 x 3/8" THK
17	103658	1	EA	BOLT, HEX HEAD, 3/8-24x1", UNF, Gr8
18	103665	2	EA	BOLT, HEX HEAD, M10x1.5x150, 10.9
19	103663	2	EA	BOLT, HEX HEAD, M10x1.5x160, 10.9
20	103659	1	EA	KEY, WOODRUFF, #505
21	103660	2	EA	BOLT, HEX HEAD, 1/4-20x1/2", UNC, GR8
22	103661	2	EA	WASHER, FLAT, NARROW, 1/4"
23	103442	1	EA	LITENS MOTOR BRACKET
24	103654	3	EA	BOLT, HEX FLANGE, M10x1.5x35, 10.9
25	103652	2	EA	BOLT, HEX FLANGE, M8x1.25x35, 10.9
26	103445	1	EA	DERAILLEUR TENSIONER
27	103446	1	EA	IDLER ASSEMBLY - LEFT SIDE TENSIONER
28	104231	1	EA	BOLT, HEX HEAD, M12x1.75x120, 10.9
29	101897	1	EA	WASHER, M12

30	103449	1	EA	TENSIONER - RIGHT SIDE
31	103657	1	EA	BOLT, BUTTON HEAD SHCS, M10x1.5x80
32	103451	1	EA	BELT-BAS DRIVE
33	104154	1	EA	BELT-NON-A/C DRIVE
34	103363	1	EA	BRACKET, ISG AUXILIARY MOUNT
35	100795	1	EA	NUT, HEX FL, CL8, NYLOC, M10x1.5
36	103457	1	EA	SENSOR ASSEMBLY
37	103516	1	EA	ASSY CRANK SHAFT VIB DMPR
38	103656	1	EA	SHCS, M10x1.5 x 60, CL12.9
39	103641	1	EA	BOLT, STRETCH, FORD, M12x1.5x48
41	104166	1	EA	BRACKET, ISG AUXILIARY MOUNT
42	100876	15	mL	THREADLOCKER, REMOVABLE STRENGTH (NOT SHOWN)
43	100407	2	EA	BOLT, HEX FLANGE HEAD, CL8.8, M8x1.25x20
44	100410	2	EA	NUT, HEX FLANGE, CL8, M8
45	104363	20	mL	ANTI-OXIDANT, COMPOUND (NOT SHOWN)

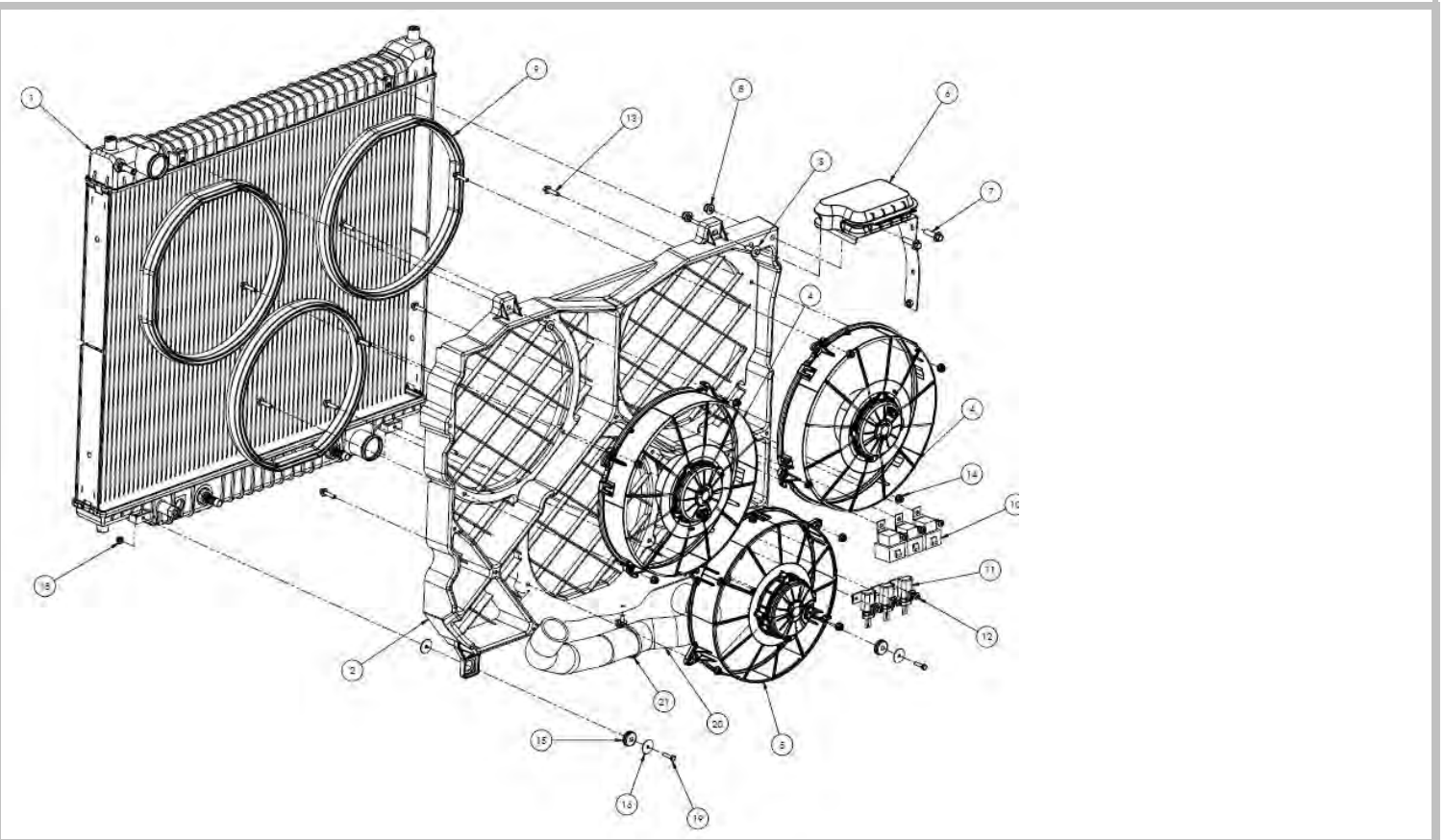




176" Wheelbase

Key	PN	Qty	U/M	Description
1	103399	1	EA	MOTOR ASSEMBLY, AC90P1F
2	103392	1	EA	BRACKET - C-FACE
3	103393	1	EA	BRACKET - FOOT MOUNT LEFT
4	103394	1	EA	BRACKET - FOOT MOUNT RIGHT
5	104250	1	EA	BRACKET, CROSS MEMBER, FRONT
6	104251	1	EA	BRACKET, CROSS MEMBER REAR
7	103241	1	EA	BRACKET - FOOT MOUNT STIFFENER
8	104072	1	EA	HEAT SHIELD, AC90D
9	102936	1	EA	DRIVESHAFT - P1 FRONT
10	103696	1	EA	DRIVESHAFT, REAR, P1 176WB
11	100110	4	EA	ISOLATOR, UNIVERSAL MOUNT, 275lb
12	100225	4	EA	WASHER, SNUBBING, 2.13" x 0.532"
13	100785	16	EA	BOLT, HEX FLANGE HEAD, CL8.8, M12x1.75x40
14	100796	8	EA	NUT, HEX FL, CL8, NYLOC, M12x1.75

15	100788	2	EA	BOLT, HEX FLANGE HEAD, CL8.8, M12x1.75x90
16	101199	4	EA	BOLT, HEX FLANGE HEAD, CL8.8, M6x1.0x16
18	103121	8	EA	BOLT, HEX, 12.9, M12x1.75x35
19	103122	4	EA	NUT, HEX, CL  12 , M12
20	103291	4	EA	BOLT, HEX HEAD, GR5, 1/2"-13x1.25"
21	103292	4	EA	WASHER, FLAT, HS, 1/2"
22	100772	4	EA	BOLT, HEX FLANGE HEAD, CL8.8, M8x1.25x25
23	100876	25	mL	THREADLOCKER, REMOVABLE STRENGTH (NOT SHOWN)
24	101892	2	EA	BOLT, HEX FLANGE HEAD, CL8.8, M12x1.75x80
29	100910	1	EA	GND STRAP-610mm 4 awg BRAIDED
30	103088	1	EA	NUT, HEX FLANGE, CL10, M10X1.5
32	101886	1	EA	BOLT, HEX FLANGE HEAD, CL8.8, M10x1.5x35
33	104363	10	mL	ANTI-OXIDANT COMPOUND (NOT SHOWN)
34	103458	50	mL	GREASE, EP2, LITHIUM SOAP (NOT SHOWN)



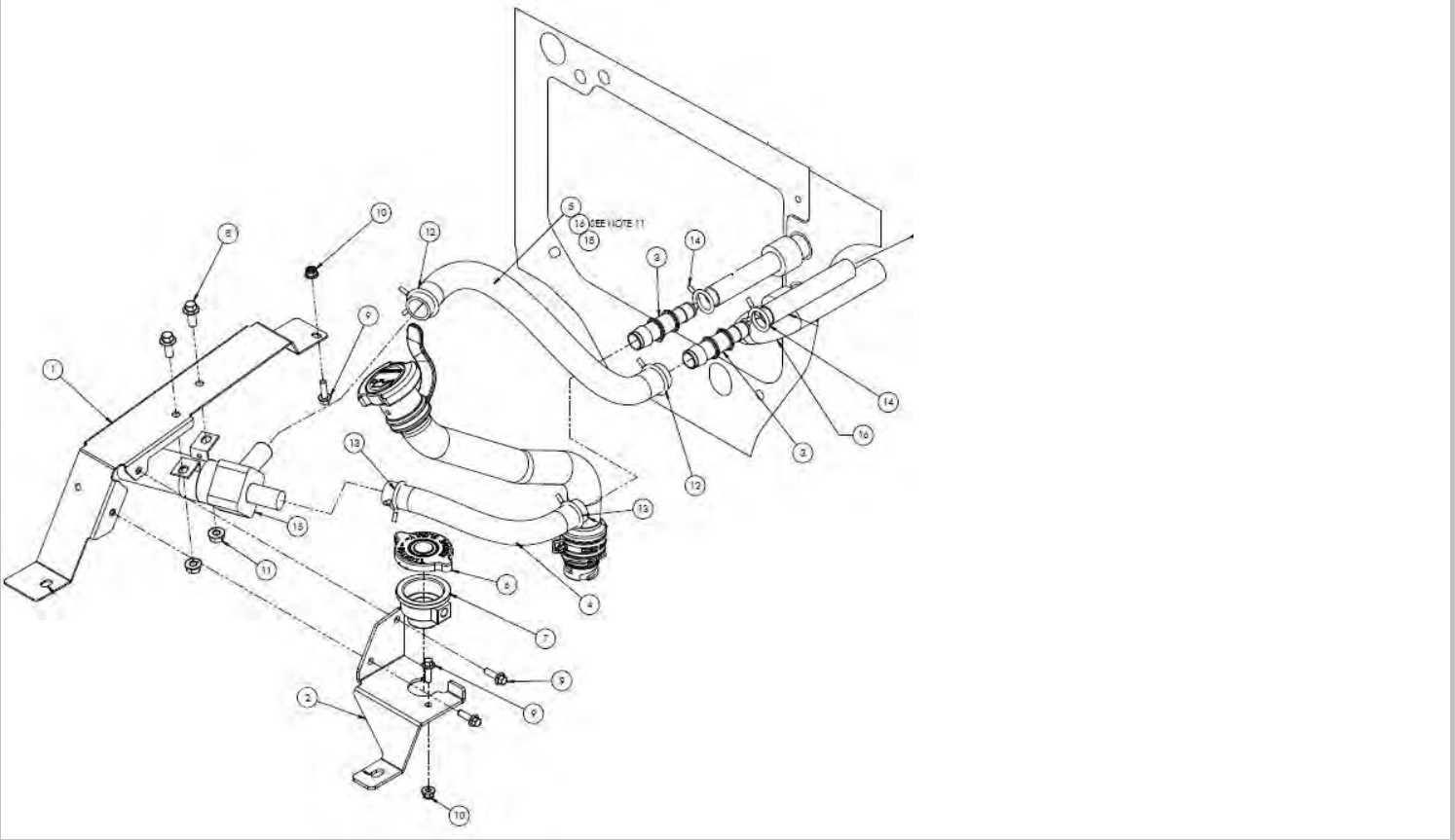
Key	PN	Qty	U/M	Description
1	103842	1	EA	OEM ENGINE RADIATOR, MODIFIED
2	103705	1	EA	FAN SHROUD
3		2	EA	FASTENER, OEM CARRY OVER, FAN SHROUD TO RADIATOR
4	103629	2	EA	FAN, ENGINE COOLING, 12", 270W
5	103697	1	EA	FAN, ENGINE COOLING, 11", 270W
6	103644	1	EA	HIGH CURRENT FUSEBOX
7	100408	2	EA	BOLT, HEX FLANGE HEAD, CL8.8, M8x1.25x30
8	100794	2	EA	NUT, HEX FL, CL8, NYLOC, M8x1.25
9	103775	2930	MM	TRIM SEAL, EPDM CO-EXTRUDED
10		3	EA	RELAY, ENGINE FAN (SEE ASSEMBLY "HRNS, RAD FANS" FOR DETAILS)
11		3	EA	FUSE, ENGINE FAN (SEE ASSEMBLY "HRNS, RAD FANS" FOR DETAILS)
12		6	EA	SNAP RIVET, UNSCREWING (SEE ASSEMBLY "ASSY, ROUTING, CLIPPING,
13	100770	12	EA	BOLT, HEX FLANGE HEAD, CL8.8, M6x1.0x25
14	100793	12	EA	NUT, HEX FL, CL8, NYLOC, M6x1.0

15	103822	2	EA	GROMMET, 8mm x 25mm, 60 DURO NEOPRENE
16	103825	4	EA	WASHER, M5, OVERSIZED, 25mm OD
18	100888	2	EA	NUT, HEX FLANGE, CL8, NYLOC, M5x0.8
19	104039	2	EA	BOLT, HEX, M5x0.8x20, CL8.8
20		1	EA	OEM ENGINE RADIATOR HOSE
21	101634	1	EA	FIR TREE MOUNT, 6.5-7.0MM

Illustration Is Not Required

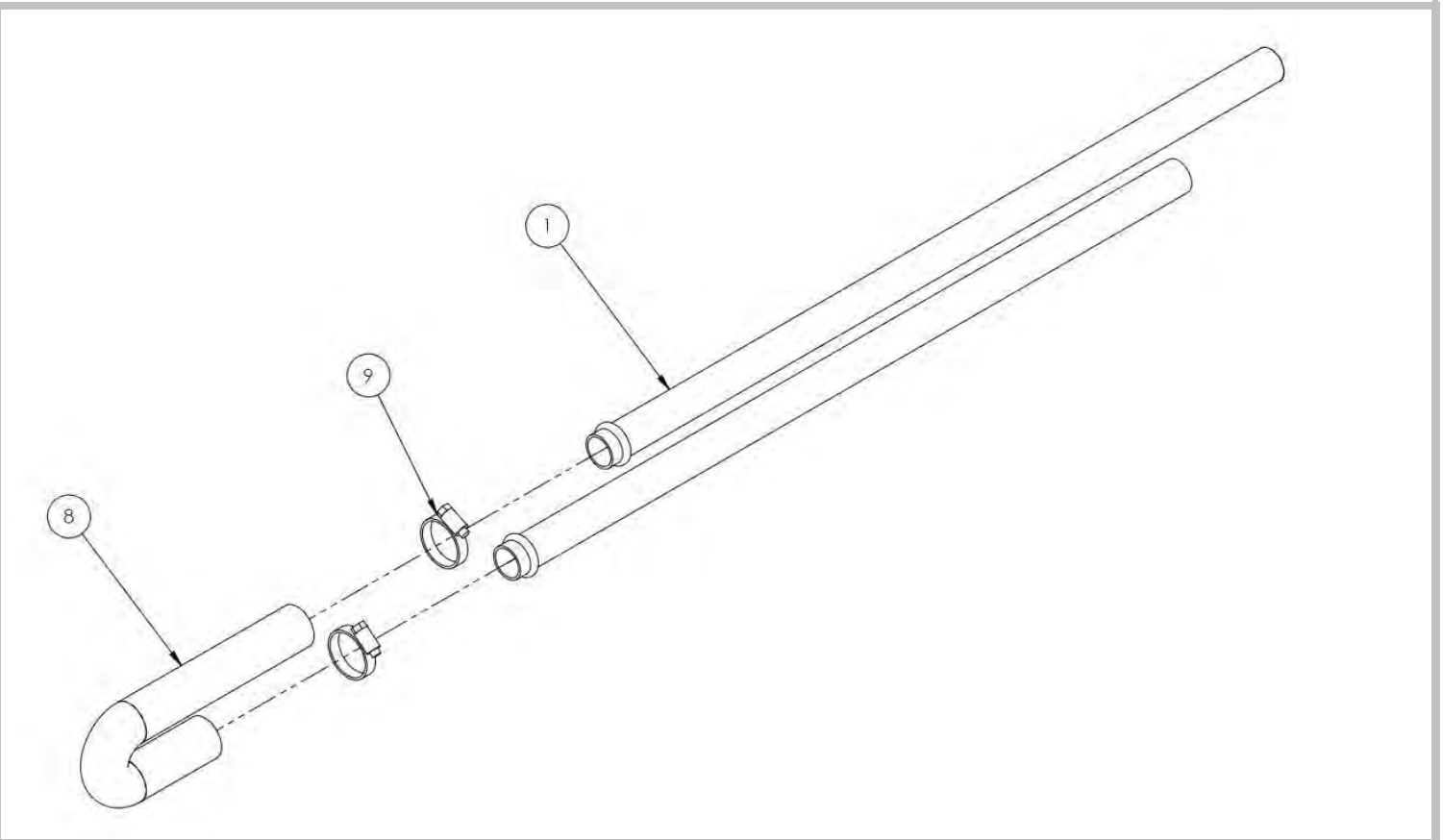
Non Air Conditioned

Key	PN	Qty	U/M	Description
1	103783	1	EA	MOTOR, ISG, 8KW
2	103649	1	EA	ASSEMBLY, ISG MOUNTING, NON-A/C

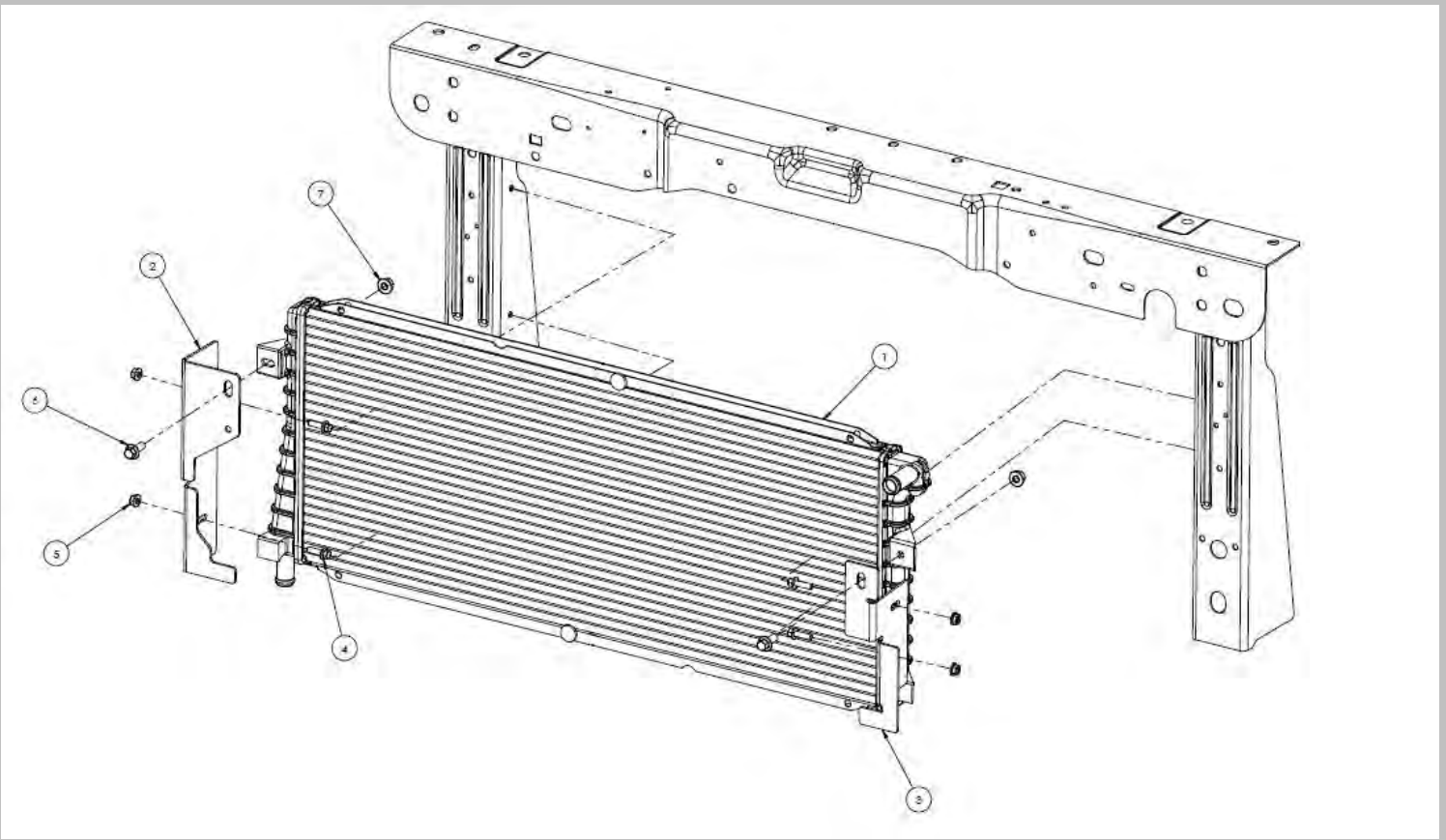


Key	PN	Qty	U/M	Description
1	103837	1	EA	BRACKET, CABIN HEATER PUMP
2	103889	1	EA	BRACKET, FILLER NECK, LT COOLANT
3	100524	2	EA	COUPLER, 3/4 TO 5/8" HOSE BARB "
4	104450	1	EA	MODIFIED, MOLDED HOSE
5	103369	350	MM	HEAVY DUTY HOSE, COOLANT 3/4 "
6	103873	1	EA	CAP, LT COOLING FILLER, 0 PSI
7	103886	1	EA	RADIATOR FILL NECK, MODIFIED
8	100407	2	EA	BOLT, HEX FLANGE HEAD, CL8.8, M8x1.25x20
9	100406	4	EA	BOLT, HEX FLANGE HEAD, CL8.8, M6x1.0x20
10	100793	2	EA	NUT, HEX FL, CL8, NYLOC, M6x1.0
11	100410	2	EA	NUT, HEX FLANGE, CL8, M8
12	103608	2	EA	CLAMP, HOSE, CT HC, 27.9/29.2
13	103365	2	EA	CLAMP, HOSE, CT HC, 26.3/27.7
14	103367	2	EA	CLAMP, HOSE, CT HC, 23.0/24.6

15	103893	1	EA	ASSY, MOD, CAB HEATER PUMP
16	103616	70	CM	LOOM BLACK 1-1/2 (NOT SHOWN) "
17	101146	20	CM	TAPE, BLACK (NOT SHOWN)

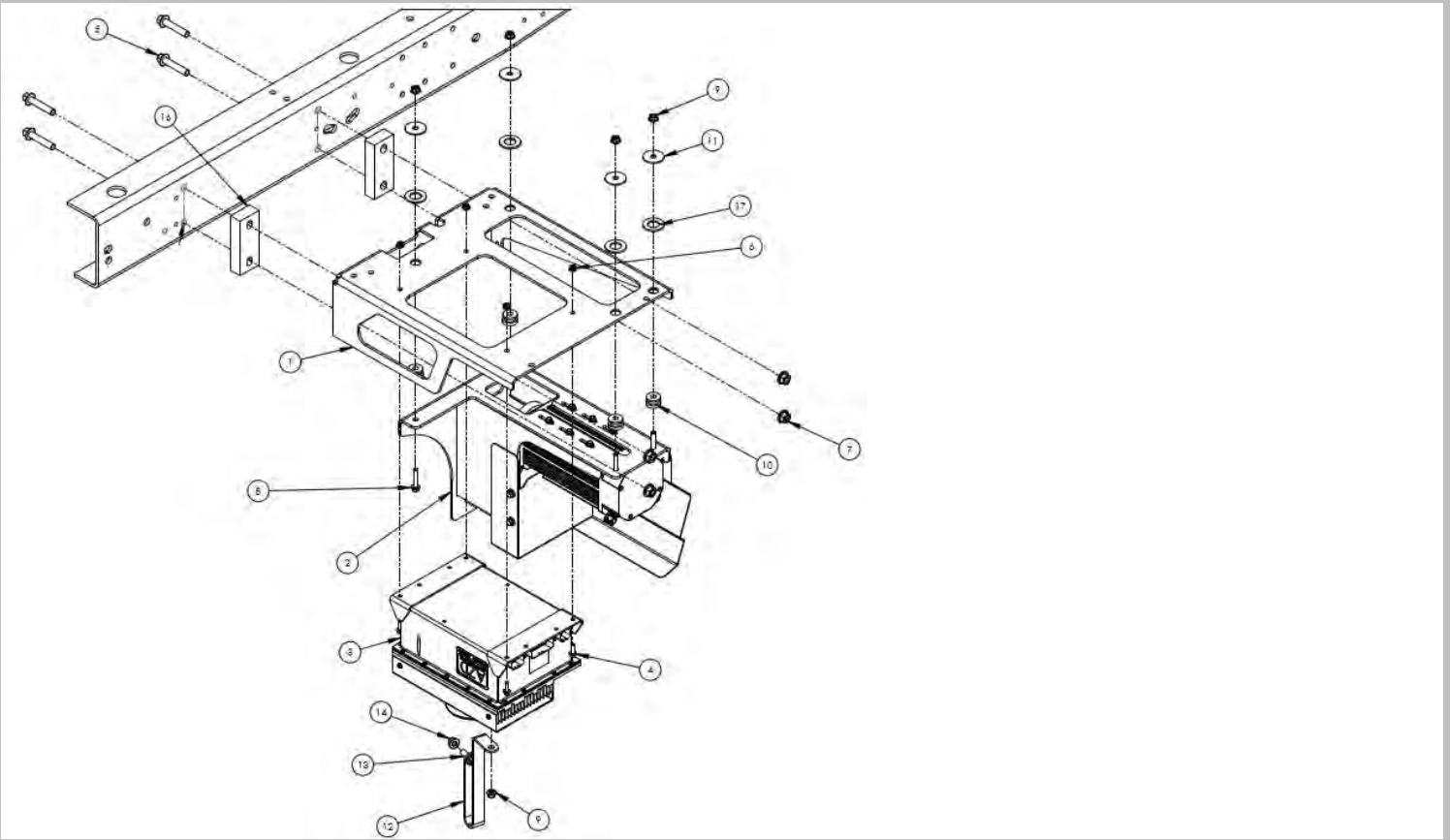


Key	PN	Qty	U/M	Description
1	103855	1	EA	BODY HEATER LINES, MODIFIED



Cutaway, Shuttle Bus, Air Conditioned, Dual 12V Batteries

Key	PN	Qty	U/M	Description
1	103137	1	EA	RADIATOR,LT,FORDOEM
2	103863	1	EA	BRACKET,LTRADIATOR,RIGHT
3	103382	1	EA	BRACKET,LTRADIATOR,LEFT
4	100406	4	EA	BOLT,HEXFLANGEHEAD,CL8.8,M6x1.0x2
5	100409	4	EA	NUT,HEXFLANGE,CL8,M6
6	100407	2	EA	BOLT,HEXFLANGEHEAD,CL8.8,M8x1.25x
7	100410	2	EA	NUT,HEXFLANGE,CL8,M8



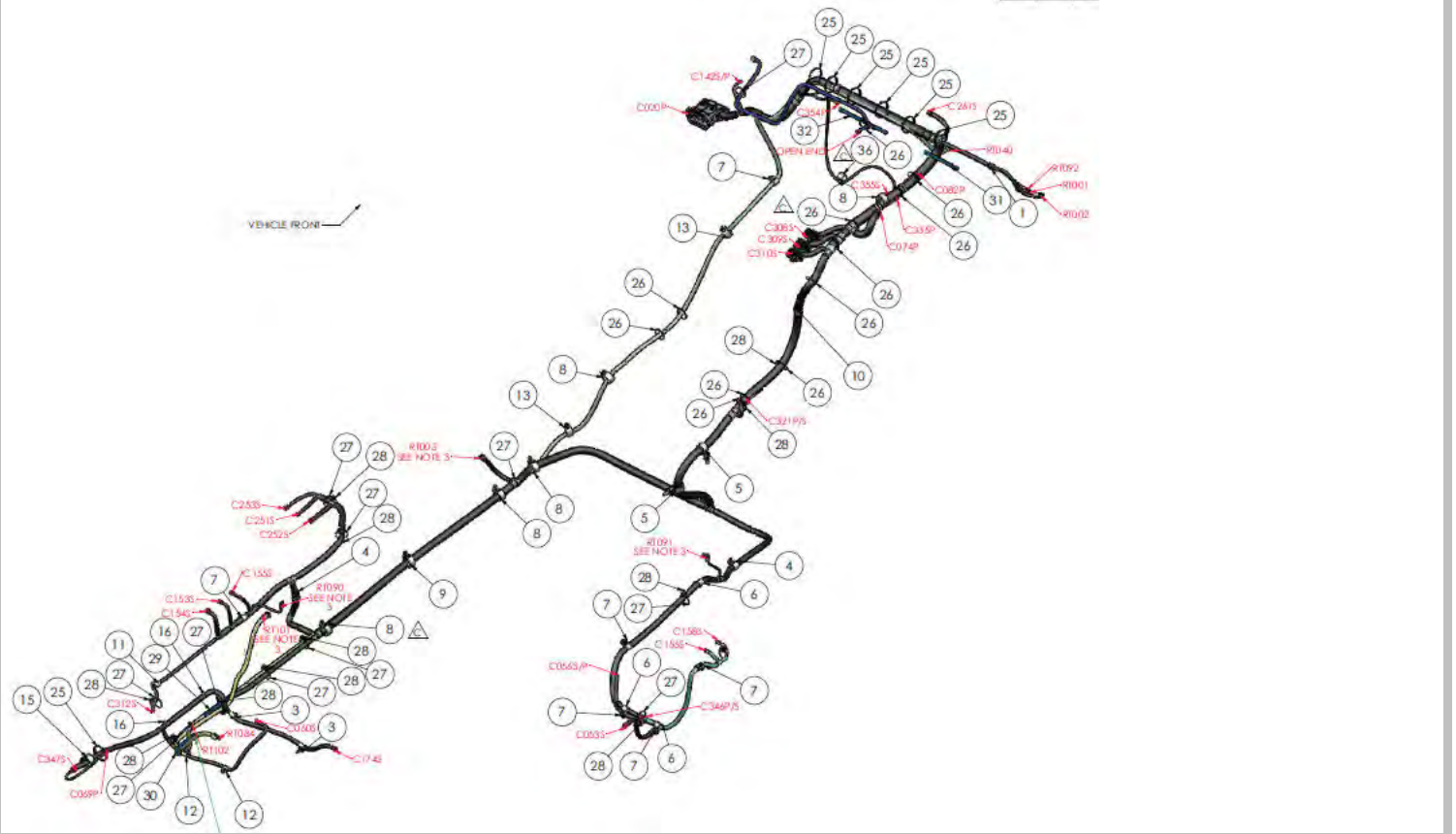
Cutaway, Shuttle Bus

Key	PN	Qty	U/M	Description
1	103677	1	EA	BRACKET,PASFRAMEMOUNTING
2	103082	1	EA	ASSEMBLYPASPUMPANDMOTOR
3	104064	1	EA	ASSY,DMOC145,PAS,PROGRAMMED
4	100406	4	EA	BOLT,HEXFLANGEHEAD,CL8.8,M6x1.0x2
5	101890	4	EA	BOLT,HEXFLANGEHEAD,CL8.8,M12x1.75
6	100409	4	EA	NUT,HEXFLANGE,CL8,M6
7	100792	4	EA	NUT,HEXFLANGE,CL8,M12
8	100773	2	EA	BOLT,HEXFLANGEHEAD,CL8.8,M8x1.25x40
9	100410	5	EA	NUT,HEXFLANGE,CL8,M8
10	103087	4	EA	ISOLATOR,CENTERBUSHINGMOUNT
11	100485	4	EA	WASHER,SNUBBING,1.56"x0.391"
12	100910	1	EA	GNDSTRAP-610mm4awgBRAIDED
13	100777	1	EA	BOLT,HEXFLANGEHEAD,CL8.8,M10x1.5x
14	100791	1	EA	NUT,HEXFLANGE,CL8,M10

15	104363	10	mL	ANTI-OXIDANTCOMPOUND(NOTSHOWN)
16	103918	2	EA	SPACER,POWERSTEERING,SB
17	101841	4	EA	WASHER,M20x40x3

2009/2010 E450 Balance Hybrid

158" wheelbase, strip chassis, air conditioning and single battery unless noted.



Key	PN	Qty	U/M	Description
1	101055	1	EA	P-CLIP, 5/8" ID, HOLE SIZE 0.256"
3	101116	2	EA	P-CLIP, 1/2" ID, HOLE SIZE 0.256"
4	101056	2	EA	P-CLIP, 1.0" ID, HOLE SIZE 0.256"
5	103729	2	EA	P-CLIP, 1 3/8" ID, HOLE SIZE 0.406"
6	101100	5	EA	P-CLIP, 3/4" ID, HOLE SIZE 0.256"
7	101583	6	EA	P-CLIP, 3/4" ID, HOLE SIZE 13/32"
8	101102	5	EA	P-CLIP, 1 1/2" ID, HOLE SIZE 0.256"
9	103542	1	EA	P-CLIP, 1 1/2" ID, HOLE SIZE 13/32"
10	103727	1	EA	P-CLIP, 1" ID, HOLE SIZE 0.406"
11	103726	1	EA	P-CLIP, 5/8" ID, HOLE SIZE 0.406"
12	101107	2	EA	P-CLIP, 3/8" ID, HOLE SIZE 0.256"
13	101099	2	EA	P-CLIP, 1 1/4" ID, HOLE SIZE 0.256"
15	103467	1	EA	P-CLIP, 1 5/8" ID, HOLE SIZE 3/8"
16	101634	2	EA	FIR TREE MOUNT, 6.5-7.0 MM

17	103736	2	EA	BOLT, THD FORMING, M8X20, HEX FLNG
19	100406	14	EA	BOLT, HEX FLANGE, M6X1.0X20, CL8.8
20	100409	15	EA	NUT, HEX,FLANGE, M6X1.0, CL8
21	100408	5	EA	BOLT, HEX FLANGE, M8X1.25X30, CL8.8
22	100410	7	EA	NUT, HEX FLANGE, M8X1.25, CL8
24	100791	2	EA	NUT, HEX FLANGE, CL8 M10X1.5
25	101587	7	EA	TIE STRAP, HEAVY, 15" X0.3125"
26	103539	11	EA	TIE STRAP, HIGH TEMP, 11.6"X0.19"
27	101066	12	EA	TIE STRAP, 11"X0.15"
28	102087	12	EA	CLIP, CABLE TIE, PUSH-ON, METAL
29	100926	120	MM	LIPTRIM, METAL CORE, 1/4"
30	100926	160	MM	LIPTRIM, METAL CORE, 1/4"
31	100926	150	MM	LIPTRIM, METAL CORE, 1/4"
32	100926	220	MM	LIPTRIM, METAL CORE, 1/4"
35	104020	2	EA	BOLT, HEX FLANGE HEAD, CL8.8, M10X1.5X45



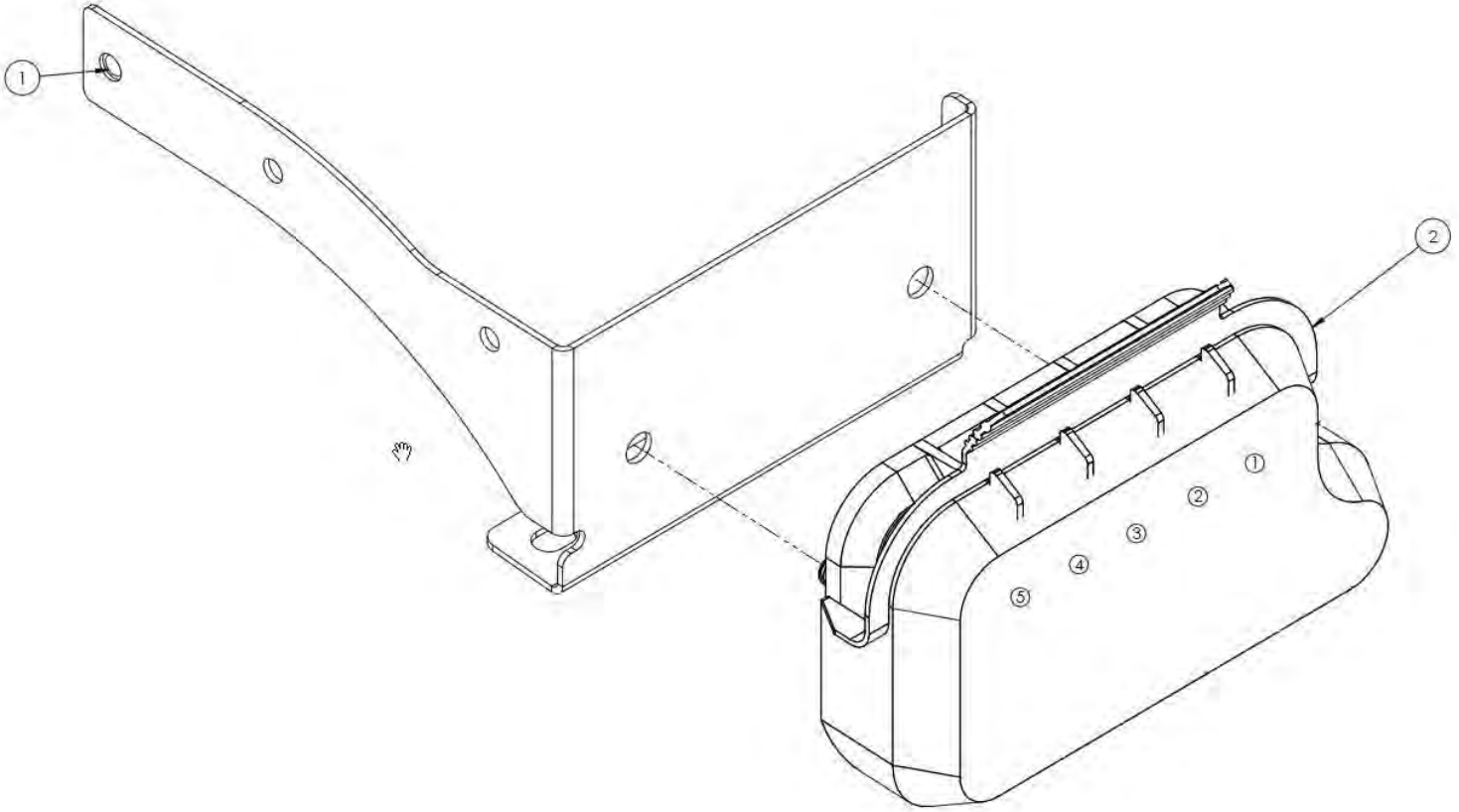
2009/2010 E450 Balance Hybrid

158" wheelbase, strip chassis, air conditioning and single battery unless noted.

36	103727	1	EA	P-CLIP, 1" ID, HOLE SIZE 0.406"
37	100795	1	EA	NUT,HEX, FL, CL8, NYLOC, M10X1.5

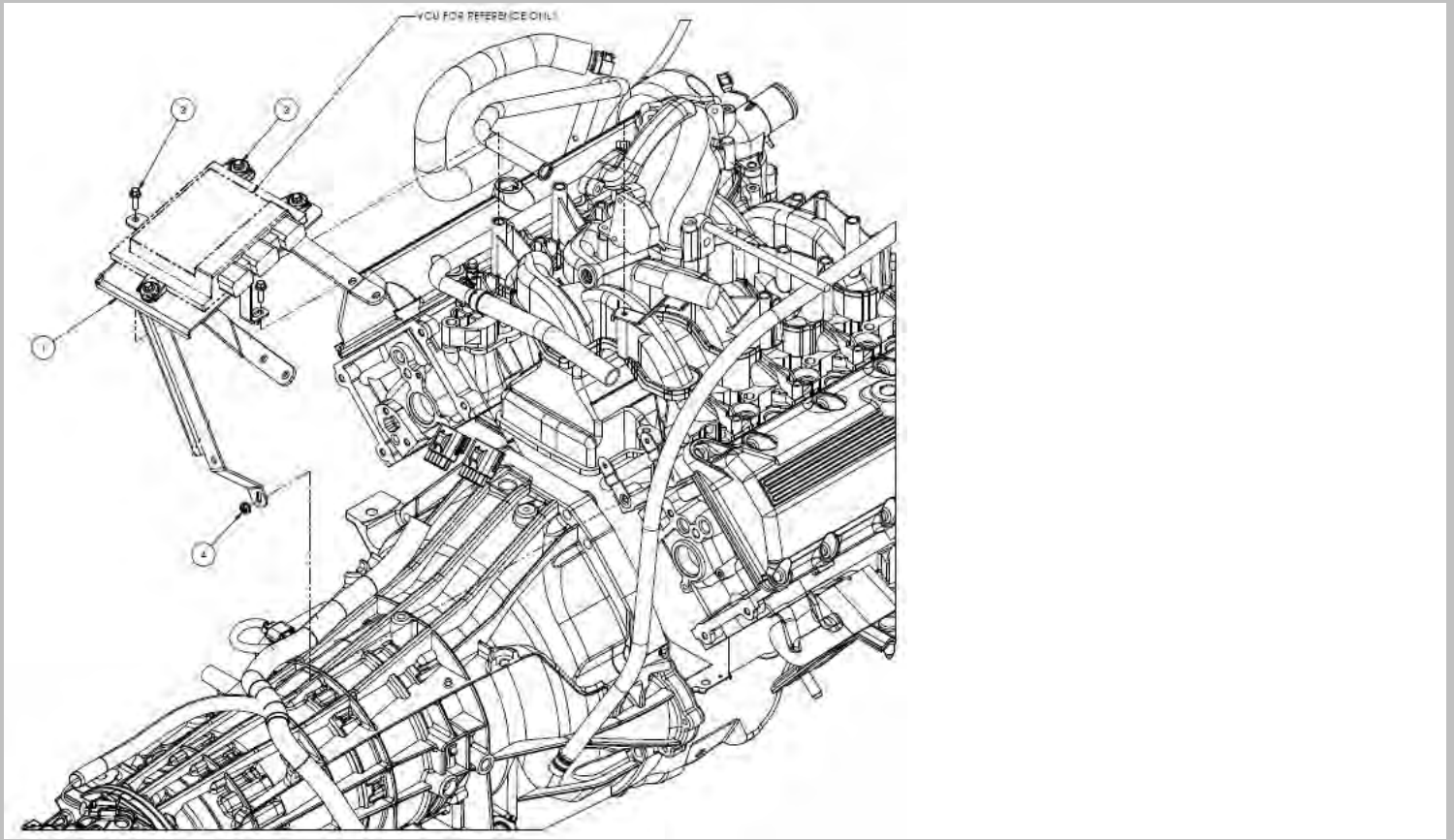
2009/2010 E450 Balance Hybrid

158" wheelbase, strip chassis, air conditioning and single battery unless noted.

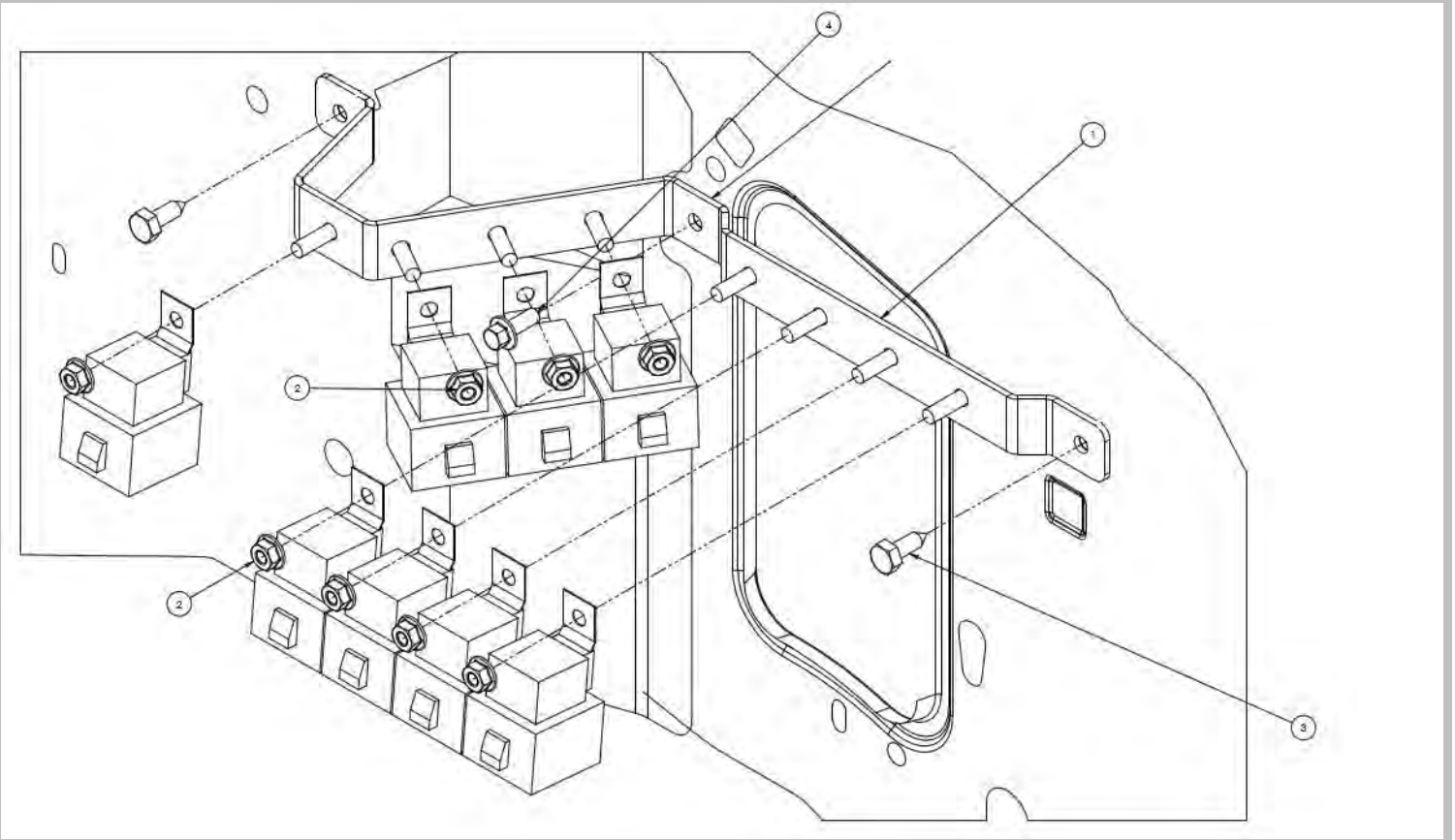


Cutaway, Shuttle Bus, Dual 12V Batteries

Key	PN	Qty	U/M	Description
1	104157	1	EA	BRACKET, HIGH CURRENT FUSE BOX
2	103205	1	EA	FUSE BOX, LV, 5 POSITION, MEGA
3	103206	1	EA	FUSE, 80 A, AMG SERIES (LOCATION SHOWN ONLY - F39)
4	103207	1	EA	FUSE, 150 A, AMG SERIES (LOCATION SHOWN ONLY - F35)
6	104307	1	EA	FUSE, 300A, MEGA, AMG SERIES (LOCATION SHOWN ONLY - F47)

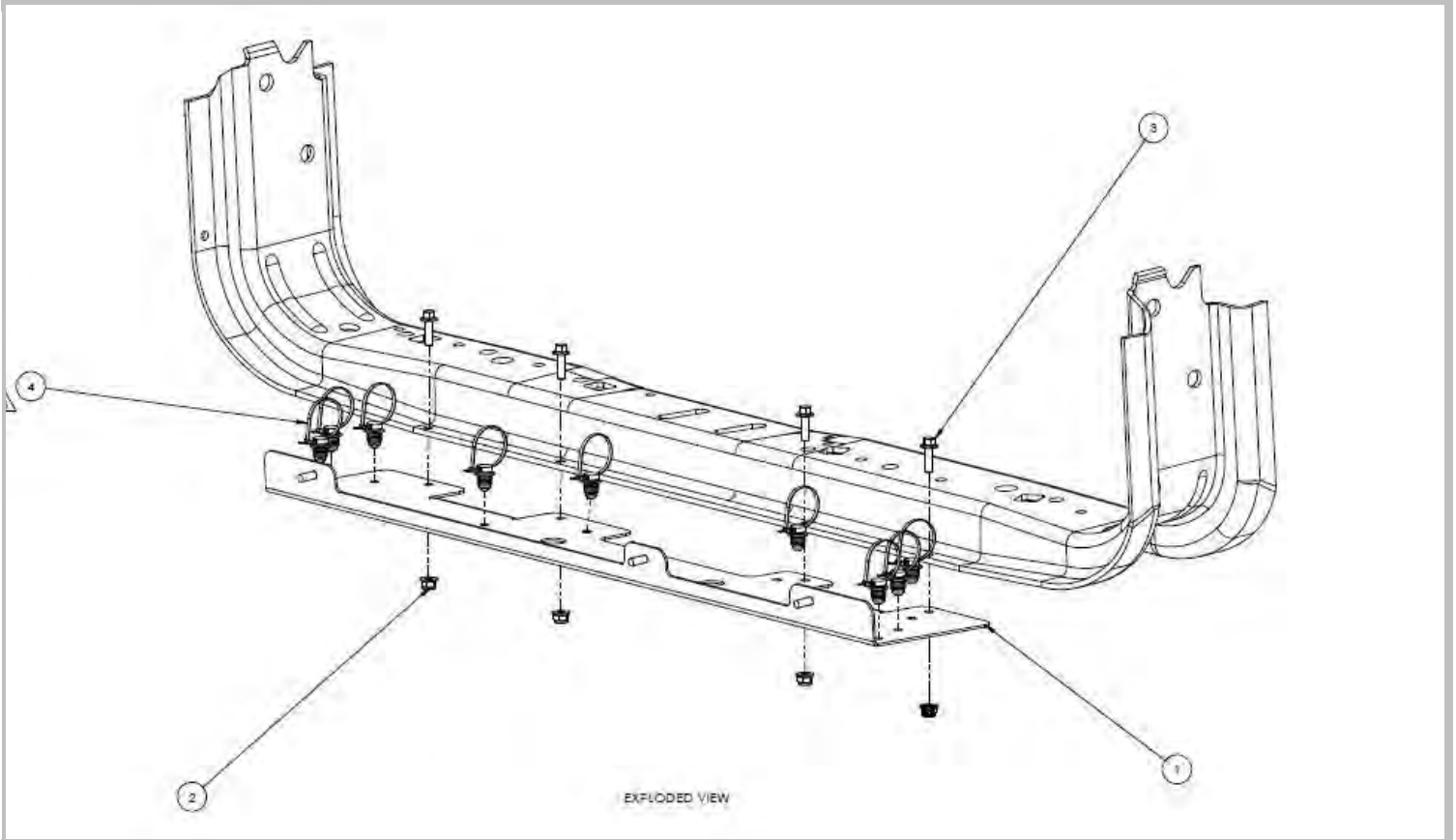


Key	PN	Qty	U/M	Description
1	104390	1	EA	VEHICLE CONTROL UNIT (VCU) BRACKET
2	100406	5	EA	BOLT, HEX FLANGE HEAD, CL8.8, M6x1.0x20
4	100409	1	EA	NUT, HEX FLANGE, CL8, M6



Cutaway, Shuttle Bus

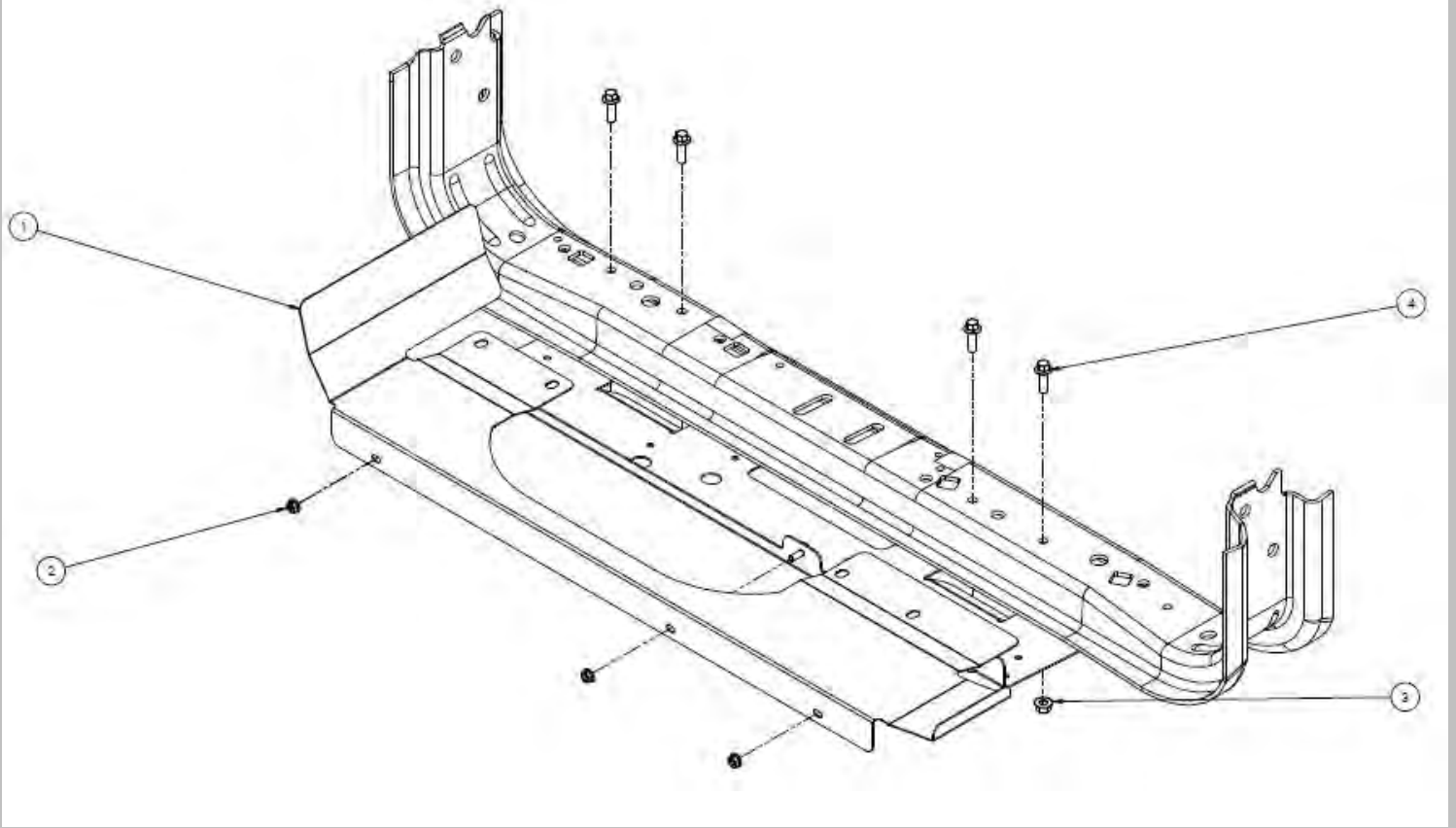
Key	PN	Qty	U/M	Description
1	104158	1	EA	BRACKET,RELAYCUTAWAY
2	100409	8	EA	NUT,HEXFLANGE,CL8,M6
3	100851	2	EA	SCREW,SELFDRILLING,1/4"-14x3/4"
4	101199	1	EA	BOLT,HEXFLANGEHEAD,CL8.8,M6x1.0x1



Key	PN	Qty	U/M	Description
1	104100	1	EA	ROUTING TRAY
2	100793	4	EA	NUT, HEX FL, CL8, NYLOC, M6x1.0
3	100406	4	EA	BOLT, HEX FLANGE HEAD, CL8.8, M6x1.0x20
4	101634	9	EA	FIR TREE MOUNT, 6.5-7.0mm

2009/2010 E450 Balance Hybrid

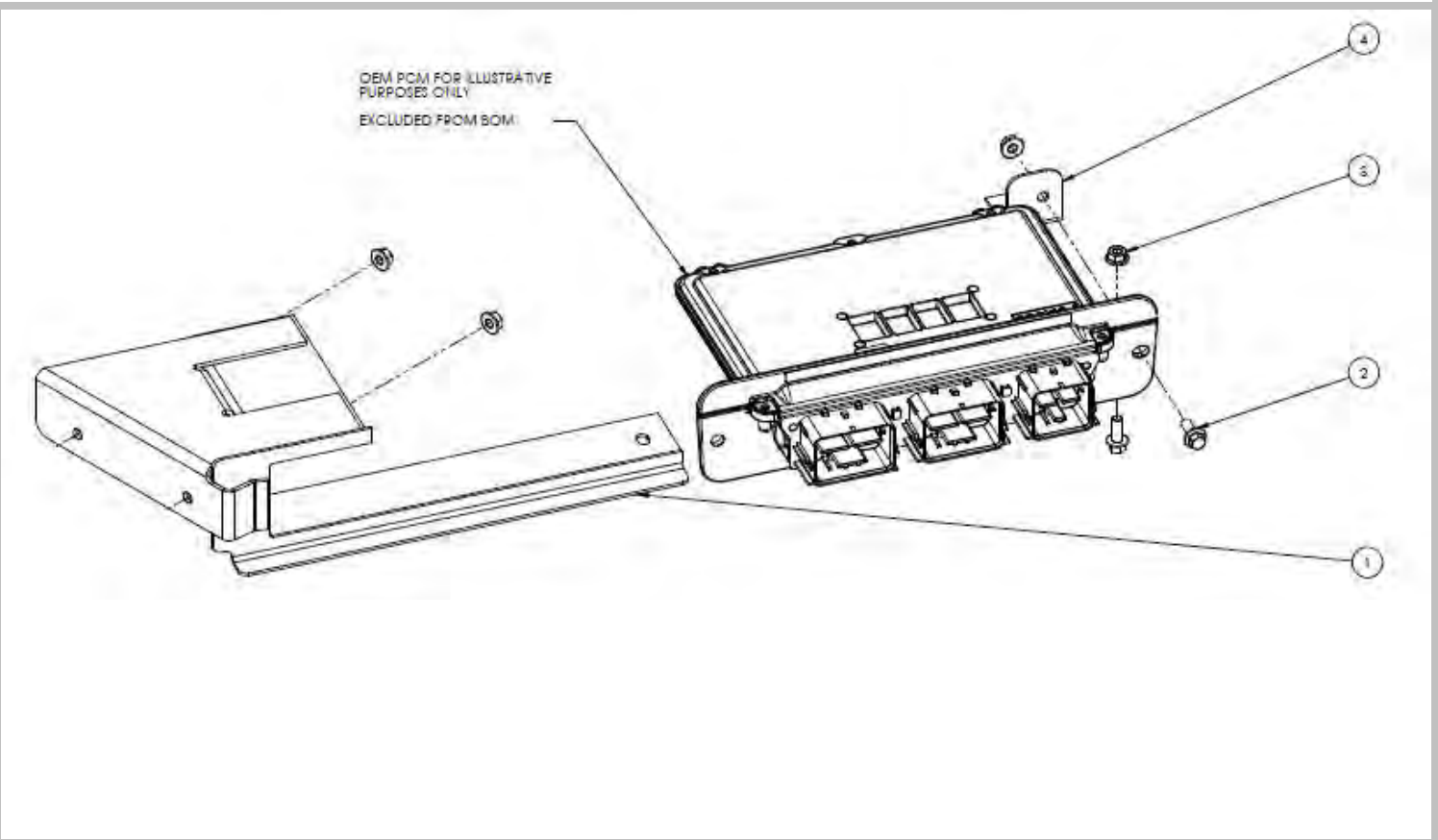
158" wheelbase, strip chassis, air conditioning and single battery unless noted.



Key	PN	Qty	U/M	Description
1	104099	1	EA	HEAT SHIELD, TRANS CROSSMEMBER
2	100409	3	EA	NUT, HEX FLANGE, CL8, M6
3	100410	4	EA	NUT, HEX FLANGE, CL8, M8
4	100772	4	EA	BOLT, HEX FLANGE HEAD, CL8.8, M8x1.25x25

2009/2010 E450 Balance Hybrid

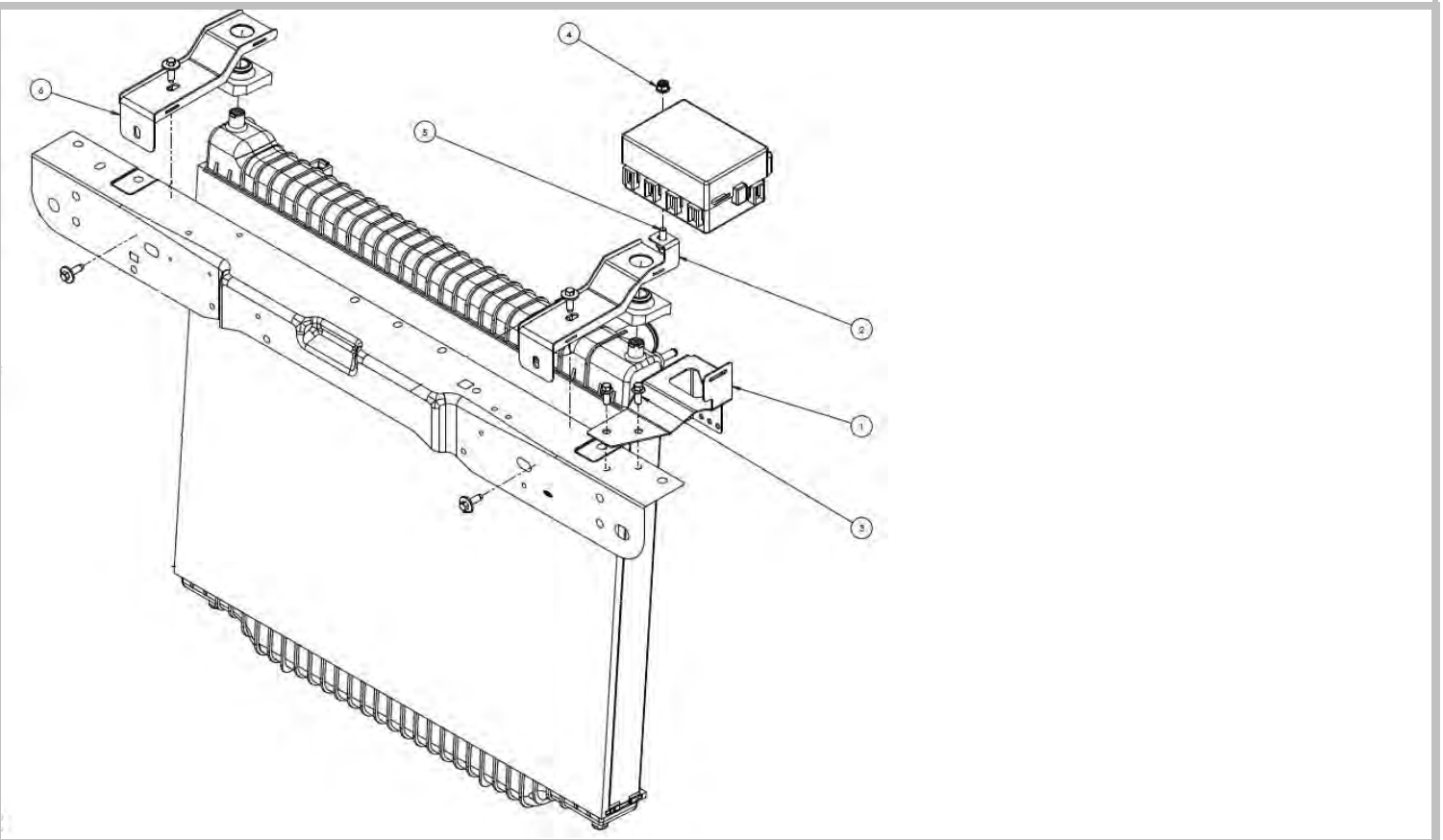
158" wheelbase, strip chassis, air conditioning and single battery unless noted.



Key	PN	Qty	U/M	Description
1	104132	1	EA	WELDMENT BRACKET, PCM
2	101199	2	EA	BOLT, HEX FLANGE HEAD, CL8.8, M6x1.0x16
3	100409	4	EA	NUT, HEX FLANGE, CL8, M6
4	104143	1	EA	BRKT, ANGLE, PCM

2009/2010 E450 Balance Hybrid

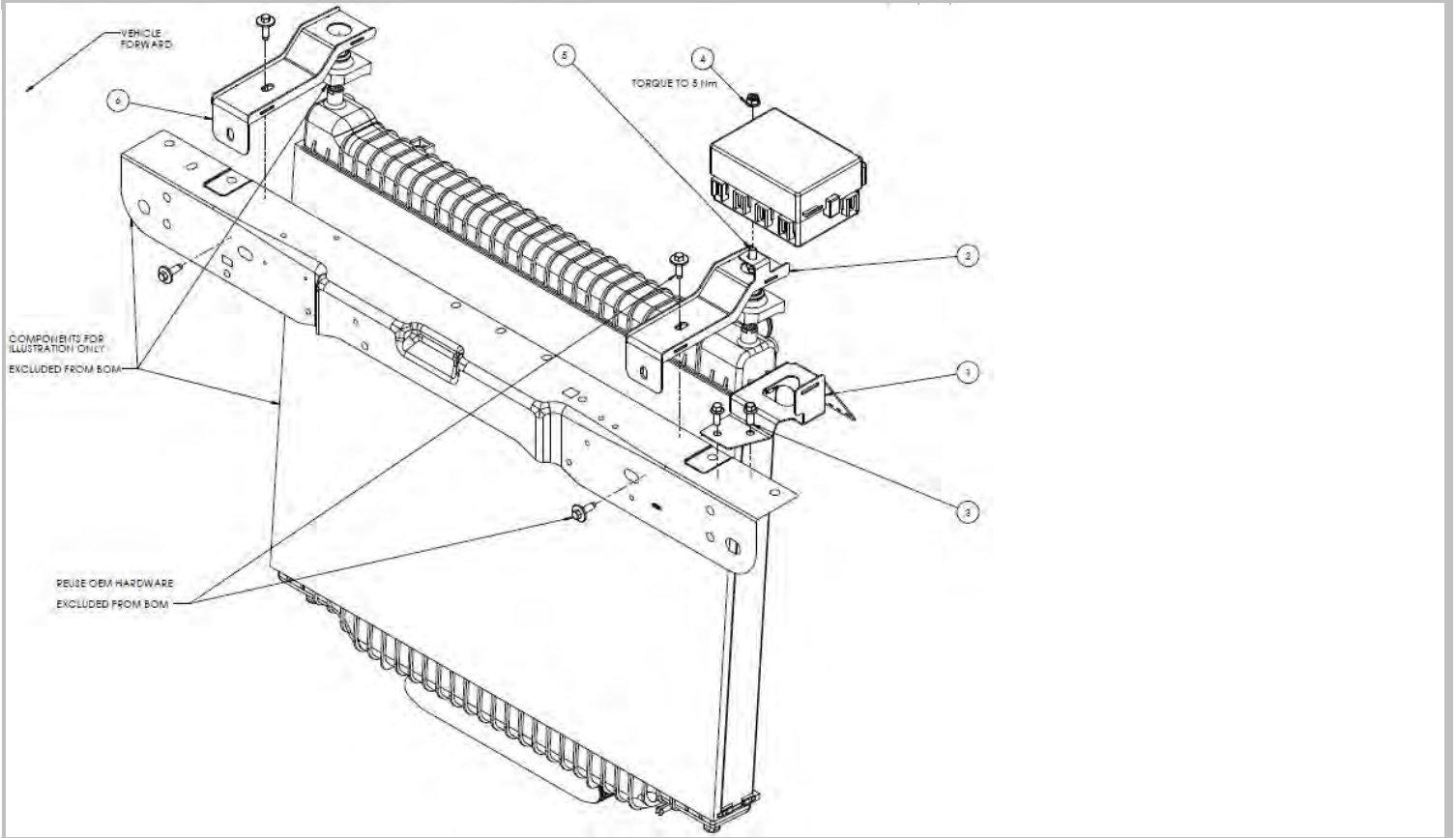
158" wheelbase, strip chassis, air conditioning and single battery unless noted.



Cutaway, Shuttle Bus

Key	PN	Qty	U/M	Description
1	104147	1	EA	BRACKET,FUSEBOX,CUTAWAY
2	104145	1	EA	BRKT,UPPERRAD,CUTAWAY
3	100407	2	EA	BOLT,HEXFLANGEHEAD,CL8.8,M8x1.25x
4	100794	1	EA	NUT,HEXFL,CL8,NYLOC,M8x1.25
5	100772	1	EA	BOLT,HEXFLANGEHEAD,CL8.8,M8x1.25x
6	104144	1	EA	BRKT,UPPERRAD,RIGHT





Key	PN	Qty	U/M	Description
1	104148	1	EA	BRACKET, FUSE BOX, STRIPPED CHASSIS
1	100794	1	EA	NUT, HEX FL, CL8, NYLOC, M8x1.25
2	104146	1	EA	BRACKET, UPPER RAD, STRIPPED CHASSIS
2	100772	1	EA	BOLT, HEX FLANGE HEAD, CL8.8, M8x1.25x25
3	104144	1	EA	BRKT, UPPER RAD, RIGHT
3	100407	2	EA	BOLT, HEX FLANGE HEAD, CL8.8, M8x1.25x20

2009/2010 E450 Balance Hybrid

158" wheelbase, strip chassis, air conditioning and single battery unless noted.

Key	PN	Qty	U/M	Description
1	104174	1	EA	SPLICE PWRTRAIN TO FORD
2	103752	1	EA	SPLICE PWRTRAIN TO TRANS
3	103943	1	EA	ROUTING, CLIPPING, POWERTRAIN
4	104458	1	EA	HARNESS, POWERTRAIN
5	103576	1	EA	CABLE, LV, NEG, DCDC TO CHASSIS GND
6	104152	1	EA	CABLE, LV, POS, DCDC TO FUSE
<b>7</b>	<b>104151</b>	<b>1</b>	<b>EA</b>	<b>HRNS, EXT, PAS</b>

2009/2010 E450 Balance Hybrid

158" wheelbase, strip chassis, air conditioning and single battery unless noted.

Key	PN	Qty	U/M	Description
1	104175	1	EA	SPLICE PWR DIST TO FORD
2	104108	1	EA	ROUTING, CLIPPING, POWER DISTRIBUTION
3	104377	1	EA	CABLE, LV, EXT, ALTERNATOR
4	103559	1	EA	HARNESS, RADIATOR FANS
4	104487	1	EA	Harness , Power Distribution
5	104037	1	EA	CABLE, LV, POS, 12V BATT TO FUSE
6	104119	1	EA	CABLE, LV, POS, FUSE TO AZD FUSEBOX
7	103826	1	EA	CABLE, LV, NEG, 12V BATT TO CHASSIS 158

2009/2010 E450 Balance Hybrid

158" wheelbase, strip chassis, air conditioning and single battery unless noted.

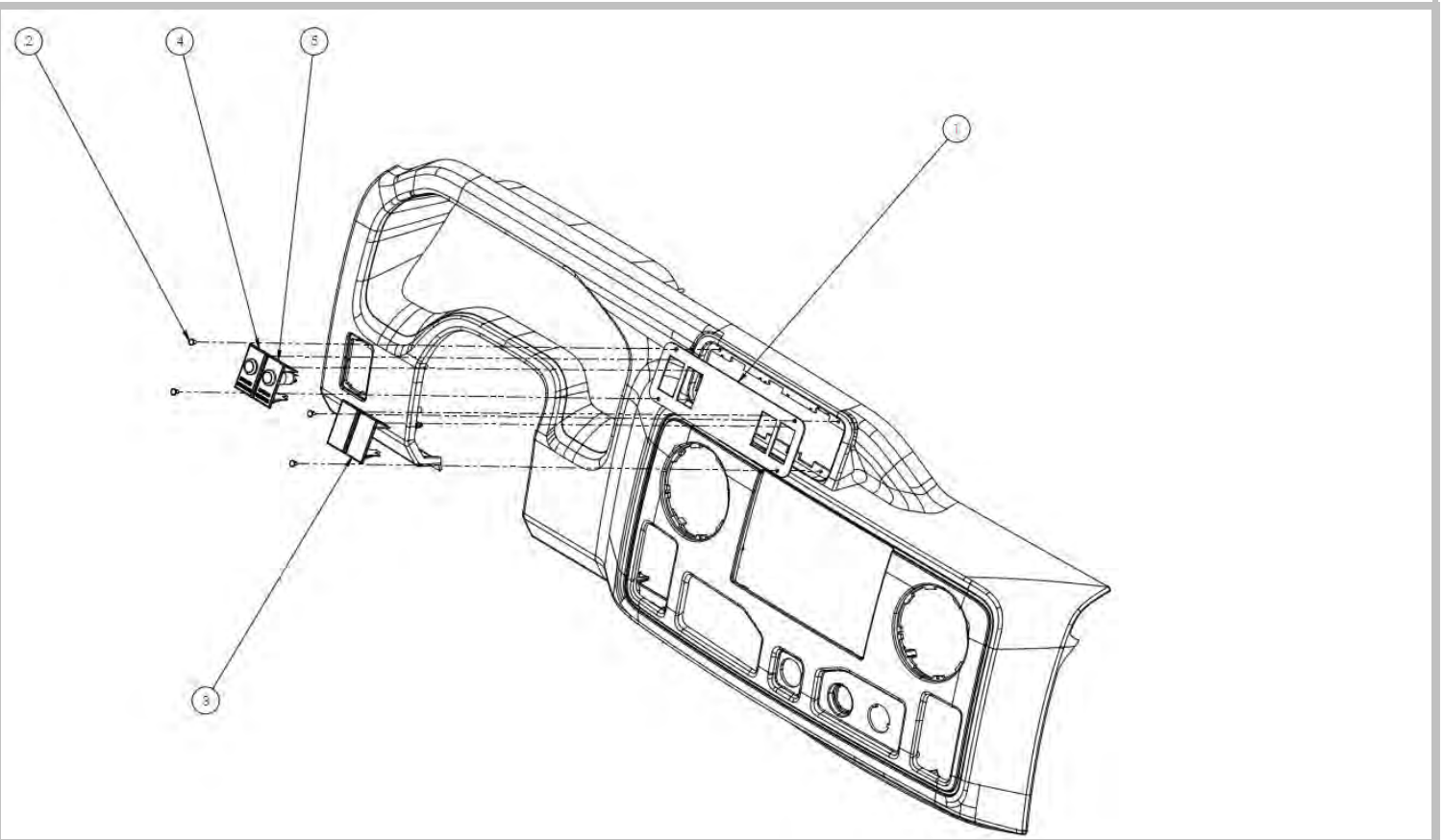
Key	PN	Qty	U/M	Description
1	103948	1	EA	ROUTING, CLIPPING, CAB, SC
5	103940	1	EA	HARNESS, CAB
7	103628	1	EA	HARNESS EXTENSION, INERTIA SWITCH
8	104176	1	EA	SPLICE, CAB TO FORD IC
9	104177	1	EA	SPLICE, CAB TO FORD SPDJB
10	104178	1	EA	SPLICE, CAB TO ACC PEDAL

Illustration Is Not Required

Key	PN	Qty	U/M	Description
2	103570	1	EA	CABLE, HV, POS, HV BATT TO HVJB
3	103571	1	EA	CABLE, HV, NEG, HV BATT TO HVJB
4	103565	1	EA	CABLE, HV, DC, HVJB TO DMOC145
5	103568	1	EA	CABLE, HV, DC, HVJB TO DMOC445
6	104115	1	EA	CABLE, HV, 3PH, DMOC445 TO ISG
7	104179	1	EA	ROUTING, CLIPPING, HIGH VOLTAGE

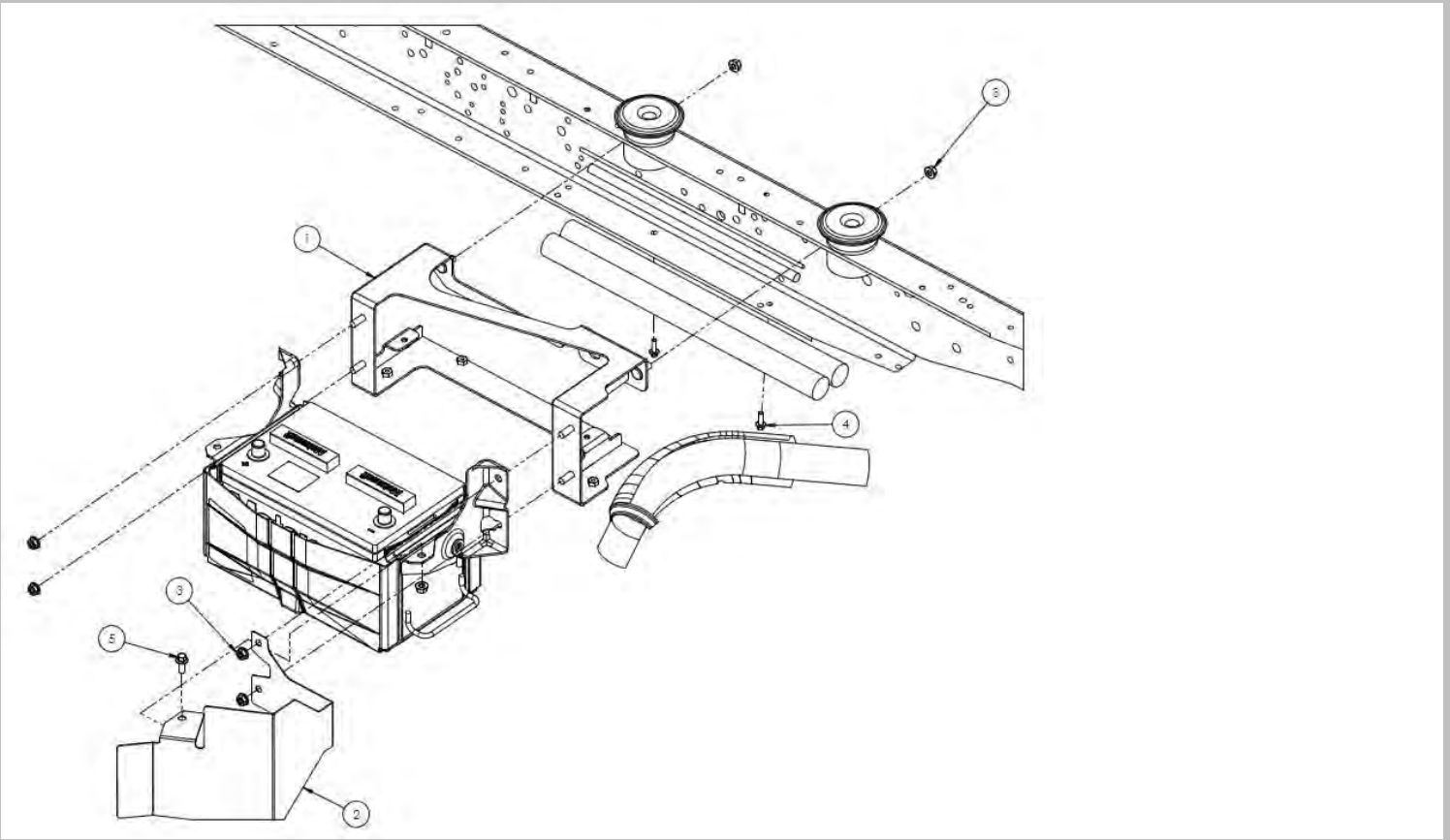
2009/2010 E450 Balance Hybrid

158" wheelbase, strip chassis, air conditioning and single battery unless noted.



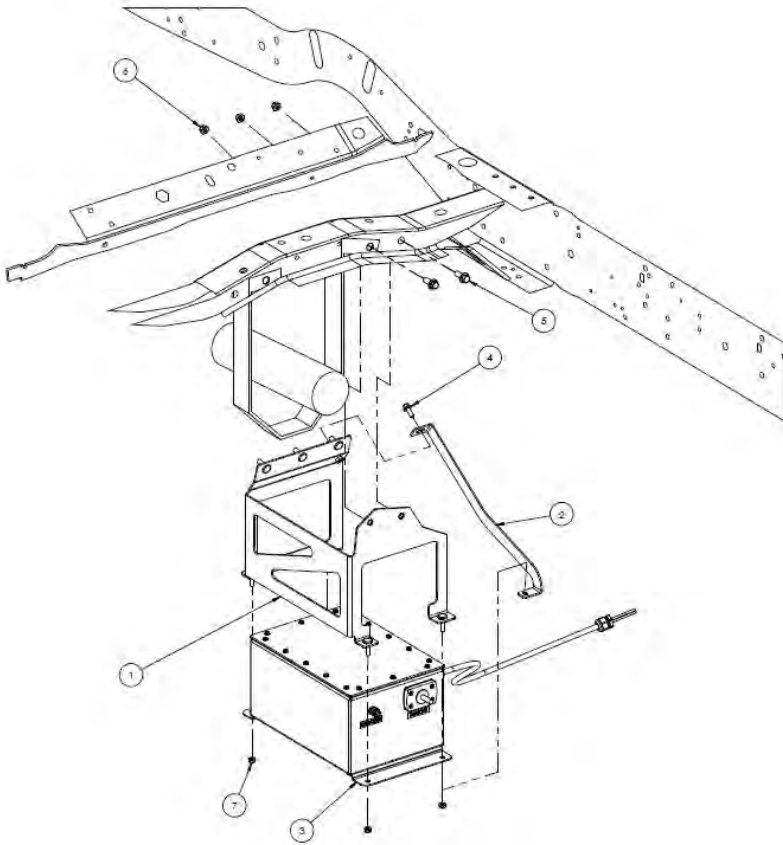
Cutaway, Shuttle Bus

Key	PN	Qty	U/M	Description
1	104181	1	EA	PANEL,DASH
2	104200	4	EA	SNAPRIVET,M3x6.1
3	103146	2	EA	BLANKPANELPLUG
4	103161	1	EA	HYBRIDENABLEDLEDASSEMBLY
5	103160	1	EA	HYBRIDSERVICELEDASSEMBLY



Cutaway, Shuttle Bus, Air Conditioned, Dual 12V Batteries

Key	PN	Qty	U/M	Description
1	104185	1	EA	BRACKETSECOND12VBATTERY
2	104289	1	EA	HEATSHIELD,2nd12vBATTERY
3	100410	7	EA	NUT,HEXFLANGE,CL8,M8
4	100406	2	EA	BOLT,HEXFLANGEHEAD,CL8.8,M6x1.0x2
5	100407	1	EA	BOLT,HEXFLANGEHEAD,CL8.8,M8x1.25x



Cutaway, Shuttle Bus, Air Conditioned, Dual 12V Batteries, Dual DC/DC Convertors

Key	PN	Qty	U/M	Description
1	104474	1	EA	BRACKET, SECOND SATCON DC/DC
2	104244	1	EA	BRACKET, STRAP, SECOND SATCON
3	103830	1	EA	CONVERTER, 300V-14VDC, 120A, MOD
4	100407	1	EA	BOLT, HEX FLANGE HEAD, CL8.8, M8x1.25x20
5	100776	2	EA	BOLT, HEX FLANGE HEAD, CL8.8, M10x1.5x25
6	100410	3	EA	NUT, HEX FLANGE, CL8, M8
7	100409	4	EA	NUT, HEX FLANGE, CL8, M6



Illustration Is Not Required

Key	PN	Qty	U/M	Description
8	103893	1	EA	CABIN HEATER PUMP
9	100655	1	EA	HOSE, MOLDED ELBOW, 3/4 EPDM "
10	100524	2	EA	COUPLER, SINGLE BARB,REDN,3/4-5/8" "
11	104198	1	EA	MANUAL, OWNER, BALANCE, MY09
12	103369	20	CM	HEAVY DUTY HOSE, COOLANT, 3/4 "
13	103608	2	EA	CLAMP, HOSE, CT HC, 27.9/29.2
14	103365	2	EA	CLAMP, HOSE, CT HC, 26.3/27.7
15	103367	2	EA	CLAMP, HOSE, CT HC, 23.0/24.6
16	104051	1	EA	LABELS, E450 STRIPPED CHASSIS DUNNAGE KIT

2009/2010 E450 Balance Hybrid

158" wheelbase, strip chassis, air conditioning and single battery unless noted.

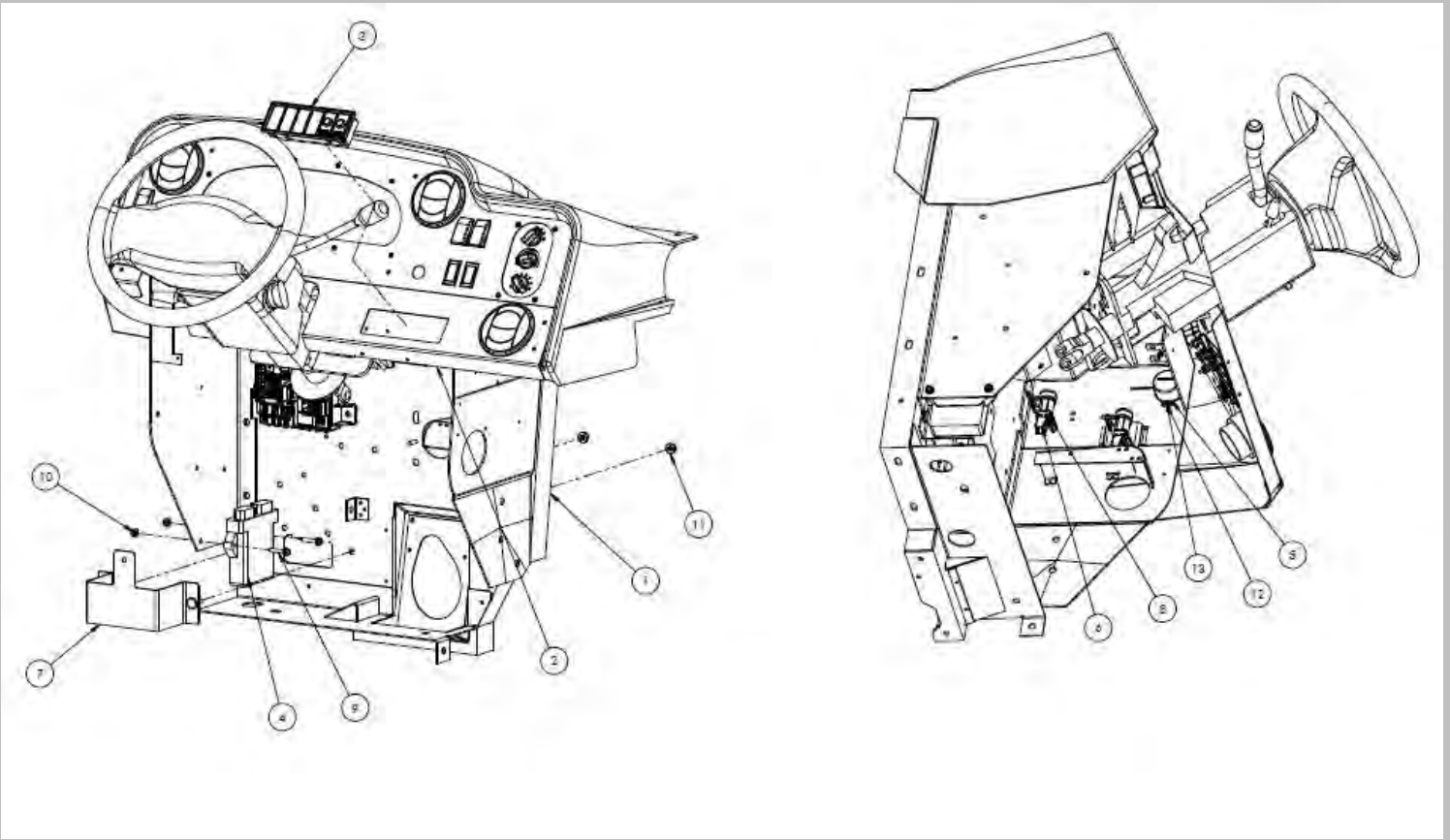
Key	PN	Qty	U/M	Description
1	104205	1	EA	VEHICLE CONTROL UNIT (VCU), PROGRAMMED
17	104092	1	EA	VEHICLE CONTROL UNIT (VCU)

*2009/2010 E450 Balance Hybrid**158" wheelbase, strip chassis, air conditioning and single battery unless noted.*

Illustration Is Not Required

## Shuttle Bus

<i>Key</i>	<i>PN</i>	<i>Qty</i>	<i>U/M</i>	<i>Description</i>
1	104092	1	EA	ASSEMBLY,MOTOTRON
2	104206	1	EA	VCU,112PIN,PROGRAMMED,MY09,SB



Key	PN	Qty	U/M	Description
2	103162	1	EA	DRIVER'S INTERFACE
3	103632	1	EA	CONVERTER, PWM TO ANALOG, LV
4	103407	1	EA	INCLINOMETER MODIFIED
5	103724	1	EA	SWITCH, INERTIA, 13-17g (30ms), YEL
6	104298	1	EA	COVER, PASS THRU CONNECTOR, SC
7	103764	2	EA	SCREW, HEX WSHR HD, M4.2x1.41x38
8	100771	2	EA	BOLT, HEX FLANGE HEAD, CL8.8, M6x1.0x30
9	100409	2	EA	NUT, HEX FLANGE, CL8, M6
10	100410	2	EA	NUT, HEX FLANGE, CL8, M8
11	100886	2	EA	NUT, HEX, NYLON, CL5, M3
12	101914	2	EA	BOLT, SOCKET BUTTON HEAD CAP, M3x1.0x12

2009/2010 E450 Balance Hybrid

158" wheelbase, strip chassis, air conditioning and single battery unless noted.

Key	PN	Qty	U/M	Description
1	102932	1	EA	ADAPTER, 9/16 ORB MALE TO 9/16 JIC 37DEG FEMALE
1	100406	2	EA	BOLT, HEX FLANGE HEAD, CL8.8, M6x1.0x20
1	103472	37	cm	HOSE, PS, 3/4", LOW PRESSURE
1	101651	30	cm	LOOM, SPLIT, 3/4", BLACK 150 DEG C
1		1	EA	OEM HOSE, MODIFIED, OEM TEE TO AZD TEE
1	101589	1	EA	P-CLIP, 2" ID, 0.281" HOLE SIZE
2		1	EA	OEM HOSE, RESERVOIR TO OEM TEE
2	101146	100	cm	TAPE, ELECTRICAL, BLACK
2	102696	1	EA	COUPLER, SINGLE BARB, 3/8"
2	101587	5	EA	TIE STRAP, HEAVY, 15" x 0.3125"
<b>2</b>	<b>101088</b>	<b>1</b>	<b>EA</b>	<b>ADAPTER, M18 TO 9/16 M-JIC</b>
2	104236	3	EA	FIR TREE MOUNT, 8.75-9.25 mm
3	103365	3	EA	CLAMP, HOSE, CT HC, 26.3/27.7
3	103366	1	EA	CLAMP, HOSE, CT HC, 24.6/26.2

3	100527	1	EA	T-FITTING, 3/4" BARB
3	101066	1	EA	TIE STRAP, 11" x 0.15"
3		1	EA	OEM HOSE, 3/8", MASTER CYLINDER TO OEM TEE
4	100409	2	EA	NUT, HEX FLANGE, CL8, M6
4	103470	2	EA	ADAPTER, M16 TO MALE JIC-06
4	103368	2	EA	CLAMP, HOSE, CT HC, 15.5/16.3
4	103737	2	EA	BOLT, THD FORMING, M10x20, HEX FLG
5	102880	1	EA	SHUTTLE VALVE, INLINE, 22.5L/min
5	101056	1	EA	P-CLIP, 1" ID, 0.281" HOLE SIZE
5		1	EA	OEM HOSE, COUPLER TO CONDENSER
6	102931	2	EA	ADAPTER, 9/16 M-ORB TO 9/16 M-JIC
13	104237	1	EA	BRACKET, HOSE ASSEMBLY, LH
14	104285	1	EA	ASSEMBLY, EPAS SUPPLY HOSE
15	104283	1	EA	HIGH PRESSURE ENGINE POWER ASSIST SYSTEM (PAS) HOSE
16	104284	1	EA	HIGH PRESSURE ELECTRIC POWER ASSIST SYSTEM (EPAS) HOSE

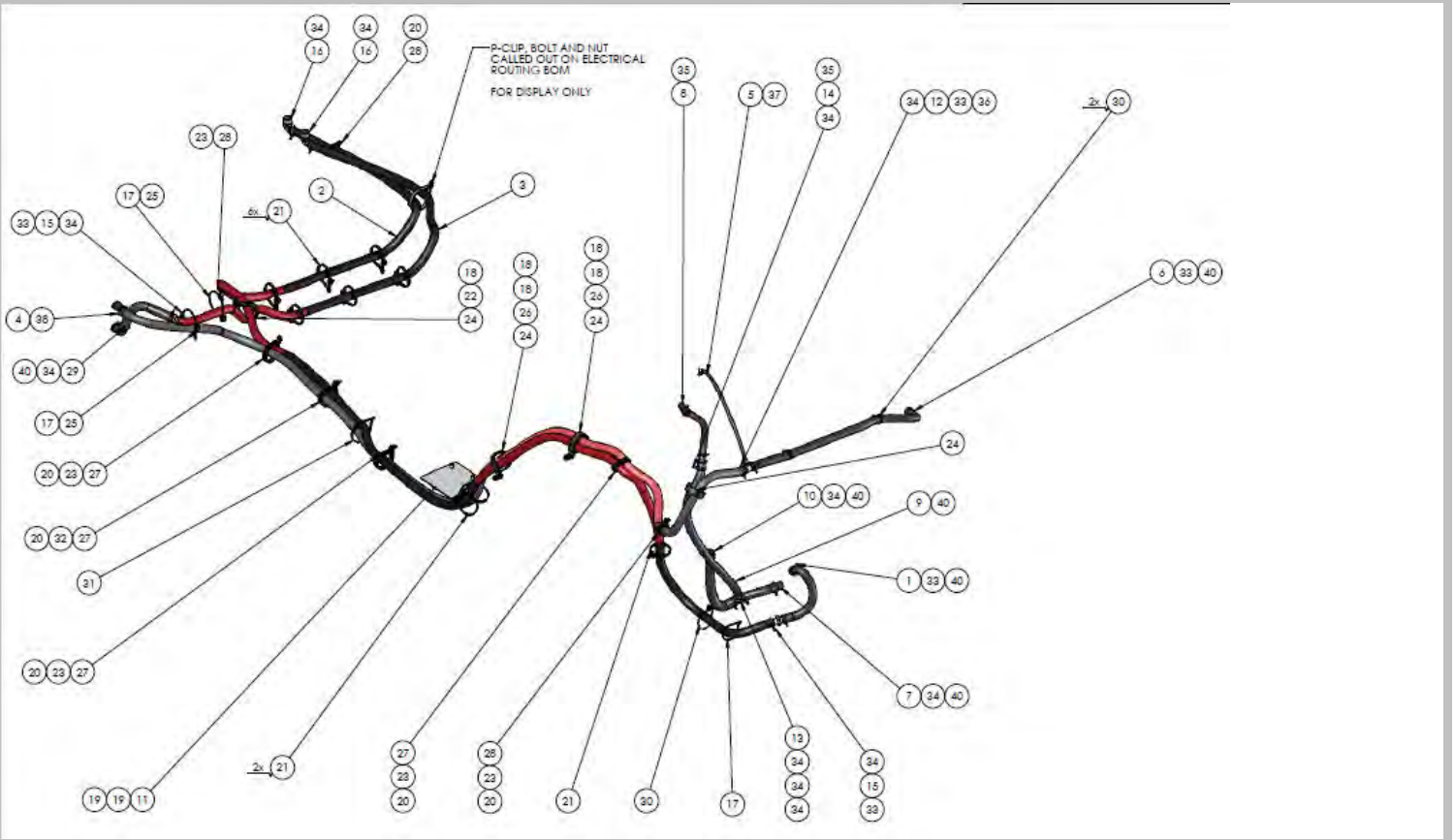
2009/2010 E450 Balance Hybrid

158" wheelbase, strip chassis, air conditioning and single battery unless noted.

17	103704	28	cm	HOSE, PAS SUPPLY, 3/8"
----	--------	----	----	------------------------

2009/2010 E450 Balance Hybrid

158" wheelbase, strip chassis, air conditioning and single battery unless noted.



Key	PN	Qty	U/M	Description
4	103282	1	EA	HOSE, MOLDED, 3/4 "
5	104286	1	EA	LT HOSE, PUMP TO DC-DC
6	104287	1	EA	LT HOSE, DC-DC TO BATTERY
7	104288	1	EA	LT HOSE, BATTERY RETURN
8	101358	54	cm	HOSE, 3/8 COOLANT EPDM "
9	103515	1	EA	HOSE, 4 X 24 ELBOW MOLDED 3/4" "
10	103369	13	cm	HOSE, 3/4 COOLANT HEAVY DUTY EPDM "
11	103136	1	EA	HOSE, MOLDED, 5/8 "
12	103369	70	cm	HOSE, 3/4 COOLANT HEAVY DUTY EPDM "
13	103369	27	cm	HOSE, 3/4 COOLANT HEAVY DUTY EPDM "
14	104242	1	EA	BRACKET, HOSE ASSEMBLY, RH
15	100697	1	EA	TEE, 3/4 TO 3/8" BARB "
16	100527	1	EA	T-FITTING, 3/4 BARB "
17	100524	1	EA	COUPLING, 3/4 TO 5/8" BARB "

18	100536	2	EA	COUPLING, 0.75 HOSE MENDER
19	100540	2	EA	ELBOW, 3/4 NPT TO 3/4" BARB "
20	101066	3	EA	TIE STRAP, 11 x 0.15" "
21	100410	5	EA	NUT, HEX FLANGE, CL8, M8
22	103737	2	EA	BOLT, THD FORMING, M10x20, HEX FLG
23	100409	6	EA	NUT, HEX FLANGE, CL8, M6
24	104236	9	EA	FIR TREE MOUNT, 8.75-9.25 mm
25	100772	1	EA	BOLT, HEX FLANGE HEAD, CL8.8, M8x1.25x25
26	100406	5	EA	BOLT, HEX FLANGE HEAD, CL8.8, M6x1.0x20
27	103699	4	EA	P-CLIP, 2-1/2 ID 0.343" HOLE SIZE "
28	102087	2	EA	CLIP, CABLE TIE, PUSH-ON, METAL
29	100408	2	EA	BOLT, HEX FLANGE HEAD, CL8.8, M8x1.25x30
30	101590	4	EA	P-CLIP, 2-1/2 ID 0.281" HOLE SIZE "
31	103728	3	EA	P-CLIP, 1-3/8 ID 0.281" HOLE SIZE "
32	101695	1	EA	HOSE, MOLDED ELBOW, 3/4 90 DEG 4X6" "

2009/2010 E450 Balance Hybrid

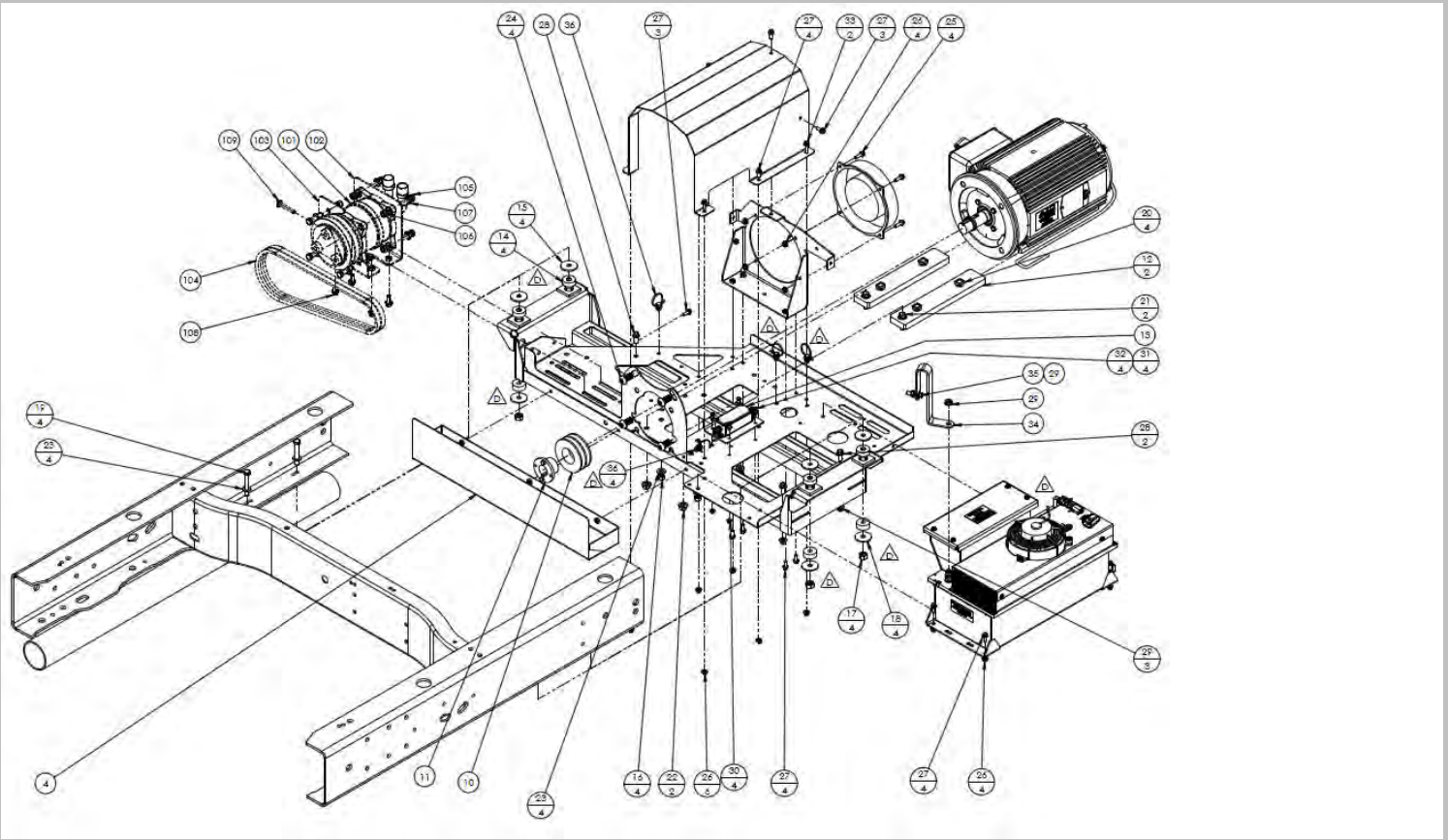
158" wheelbase, strip chassis, air conditioning and single battery unless noted.

33	101634	3	EA	FIR TREE MOUNT, 6.5-7.0mm
34	101587	1	EA	TIE STRAP, HEAVY, 15 x 0.3125" "
35	100770	1	EA	BOLT, HEX FLANGE HEAD, CL8.8, M6x1.0x25
36	103365	5	EA	CLAMP, HOSE, CT HC, 26.3/27.7
37	103608	12	EA	CLAMP, HOSE, CT HC, 27.9/29.2
101	103367	2	EA	CLAMP, HOSE, CT HC, 23.0/24.6
102	103368	1	EA	CLAMP, HOSE, CT HC, 15.5/16.3
103	100831	1	EA	CLAMP, GEAR TYPE, 8/22mm
104	103701	1	EA	CLAMP, HOSE, CT GEAR TYPE, 25/45
105	100879	5	mL	THREAD SEALANT, PIPE (NOT SHOWN)
106	103616	194	cm	LOOM, SPLIT, 1-1/4 BLACK 150 DEG "
107	101146	150	cm	TAPE, ELECTRICAL, BLACK (NOT SHOWN)



2009/2010 E450 Balance Hybrid

158" wheelbase, strip chassis, air conditioning and single battery unless noted.



Cutaway, Shuttle Bus

Key	PN	Qty	U/M	Description
1	909090	1	EA	VEHICLE FRAME
2	104354	1	EA	BRACKET, A/C COMPRESSOR ASSEMBLY
3	103465	1	EA	BRACKET, SUBFRAME, A/C COMPR ASSY
4	103593	1	EA	BRACKET, FINGER GUARD
5	104255	1	EA	CONTROLLER, DMOC445, P1, A/C
6	104252	1	EA	MOTOR, AC24LS, WYE, C-FACE
7	103638	1	EA	BRACKET, FAN, AC24
8	103640	1	EA	SHROUD, FAN, AC24
9	103999	1	EA	12V SPAL 6.5" PULL Fan. PN: 30100631
10	103912	1	EA	PULLEY, 3.45" OD, 2-GROOVE, A-SECTION
11	101982	1	EA	BUSHING, H-TYPE TAPER, 1-1/8" BORE
12	103594	2	EA	SPACER, AC24 MOTOR
13	909090	1	EA	FILTER BOX - COMES WITH AC24
14	100500	4	EA	ISOLATOR, UNIVERSAL MOUNT(SANDWICH), 80-lb

15	103962	4	EA	WASHER, CUSTOM - 3/8" x 1.57" OD
16	101960	4	EA	NUT, HEX, 3/8 - 16 UNC, GR 8
17	104003	4	EA	NUT, HEAVY HEX NYLOC, 3/8-16 UNC, GR 5
18	100485	4	EA	WASHER, SNUBBING, 1.56" x 0.391"
19	103921	4	EA	BOLT, HEX HEAD, 3/8-16x2-1/2", UNC, Gr5
20	103595	4	EA	BOLT, T-SLOT HEAD, 3/8in X 1.5in UNC, AISI 1045
21	101886	2	EA	BOLT, HEX FLANGE HEAD, CL8.8, M10x1.5x35
22	100791	2	EA	NUT, HEX FLANGE, CL8, M10
23	100803	8	EA	WASHER, M10x2
24	101980	4	EA	BOLT, SOCKET BUTTON HEAD CAP, 1/2"x1", Gr5
25	100406	4	EA	BOLT, HEX FLANGE HEAD, CL8.8, M6x1.0x20
26	100409	14	EA	NUT, HEX FLANGE, CL8, M6
27	101199	18	EA	BOLT, HEX FLANGE HEAD, CL8.8, M6x1.0x16
28	100407	3	EA	BOLT, HEX FLANGE HEAD, CL8.8, M8x1.25x20
29	100410	5	EA	NUT, HEX FLANGE, CL8, M8

2009/2010 E450 Balance Hybrid

158" wheelbase, strip chassis, air conditioning and single battery unless noted.

30	101895	4	EA	NUT, HEX FLANGE, CL8, M5
31	100883	4	EA	WASHER, M5
32	103933	4	EA	BOLT, HEX, M5x0.8x16, CL8.8
33	100770	2	EA	BOLT, HEX FLANGE HEAD, CL8.8, M6x1.0x25
34	100909	1	EA	GND STRAP-330mm 4 awg BRAIDED
35	100408	1	EA	BOLT, HEX FLANGE HEAD, CL8.8, M8x1.25x30
36	101634	4	EA	FIR TREE MOUNT, 6.5-7.0mm
37	104363	10	mL	ANTI-OXIDANT COMPOUND (NOT SHOWN)
101	909090	1	EA	COMPRESSOR - CUSTOMER SPECIFIED
102	909090	1	EA	BRACKET, EAR MOUNT COMPRESSOR, REAR
103	909090	1	EA	BRACKET, EAR MOUNT COMPRESSOR, FRONT
104	909090	2	EA	BELT, COGGED, AX-SECTION, 36" IL
105	909090	7	EA	BOLT, HEX HEAD, 3/8-16x1-1/2", UNC, Gr5
106	909090	7	EA	NUT, HEX, 3/8 - 16 UNC, GR 8
107	909090	14	EA	WASHER, M10x2

108	909090	4	EA	BOLT, HEX FLANGE HEAD, CL8.8, M8x1.25x20
109	909090	1	EA	BOLT, HEX FLANGE HEAD, CL8.8, M8x1.25x50

2009/2010 E450 Balance Hybrid

158" wheelbase, strip chassis, air conditioning and single battery unless noted.

Illustration Is Not Required

Cutaway, Shuttle Bus, Dual 12V Batteries

Key	PN	Qty	U/M	Description
1	104410	1	EA	LABEL, HYBRID BELT ROUTING
2	104408	1	EA	LABEL, WARNING, ENGINE MAY START
3	104409	1	EA	LABEL, COOLANT 50_50 DEXCOOL
4	104407	1	EA	LABEL, QUALIFIED PERSONNEL ONLY
5	104411	1	EA	LABEL, DUAL 12V BATTERIES
6	103360	1	EA	WARNING LABEL, ENGINE START
7	104501	1	EA	LABEL, HVJB GLAND ENTRY
8	104502	1	EA	LABEL, HVJB FUSE AND STUD
9	104585	1	EA	LABEL, IMD, FORD, E450

2009/2010 E450 Balance Hybrid

158" wheelbase, strip chassis, air conditioning and single battery unless noted.

Key	PN	Qty	U/M	Description
1	103360	1	EA	WARNING LABEL, ENGINE START
2	104501	1	EA	LABEL, HVJB GLAND ENTRY
3	104502	1	EA	LABEL, HVJB FUSE AND STUD
4	104585	1	EA	LABEL, IMD, FORD, E450
108	104410	1	EA	LABEL, HYBRID BELT ROUTING
109	104409	1	EA	LABEL, COOLANT 50_50 DEXCOOL

Illustration Is Not Required

Cutaway, Shuttle Bus

Key	PN	Qty	U/M	Description
1	103591	1	EA	BRACKET,EARMOUNTCOMPRESSOR,FR
2	103592	1	EA	BRACKET,EARMOUNTCOMPRESSOR,RE
3	100407	4	EA	BOLT,HEXFLANGE,M8x1.25x20,CL8.8
4	101979	7	EA	BOLT,HEX,3/8"x1-1/2"UNC,GR5
5	100803	14	EA	WASHER,PLAIN,M10,20mmOD
6	101960	7	EA	NUT,HEX,3/8-16UNC,GR5
7	104625	1	EA	BOLT,HEX,ALLTHD,8.8,M8x1.25x50
8	103914	2	EA	BELT,COGGED,AX-SECTION,36"IL
9	100802	1	EA	WASHER,M8

2009/2010 E450 Balance Hybrid

158" wheelbase, strip chassis, air conditioning and single battery unless noted.

Illustration Is Not Required

Cutaway, Shuttle Bus, Dual 12V Batteries

Key	PN	Qty	U/M	Description
1	104198	1	EA	MANUAL,OWNER,BALANCE,MY09
2	104281	1	EA	ASSEMBLY,ACCOMPRESSORMOUNTING
3	104586	1	EA	DOCUMENT,INTMANUFACTURERANDSO

Illustration Is Not Required

Cutaway, Shuttle Bus

Key	PN	Qty	U/M	Description
1	104109	1	EA	HRNS,CAB
2	104218	1	EA	HRNS,LV,SWTLEDPACKSB
3	103628	1	EA	HRNS,EXT,INERTIASWT
4	104176	1	EA	ASSY,SPLICE,CABTOFORDIC
5	104177	1	EA	ASSY,SPLICE,CABTOFORDSPDJB
6	104178	1	EA	ASSY,SPLICE,CABTOACCPEDAL
7	104110	1	EA	ASSY,ROUTING,CLIPPING,CAB,CA

Illustration Is Not Required

Cutaway, Shuttle Bus

Key	PN	Qty	U/M	Description
1	103570	1	EA	CABLE,HV,POS,HVBATTOHVJB
2	103571	1	EA	CABLE,HV,NEG,HVBATTOHVJB
3	103568	1	EA	CABLE,HV,DC,HVJBTODMOC445
4	104115	1	EA	CABLE,HV,3PH,DMOC445TOISG
6	104215	1	EA	CABLE,HV,DC,HVJBTOPASDMOC,158
7	104179	1	EA	ASSY,ROUTING,CLIPPING,HV
8	104443	1	EA	CABLE,HV,DC,HVJBTOACDMOC



2009/2010 E450 Balance Hybrid

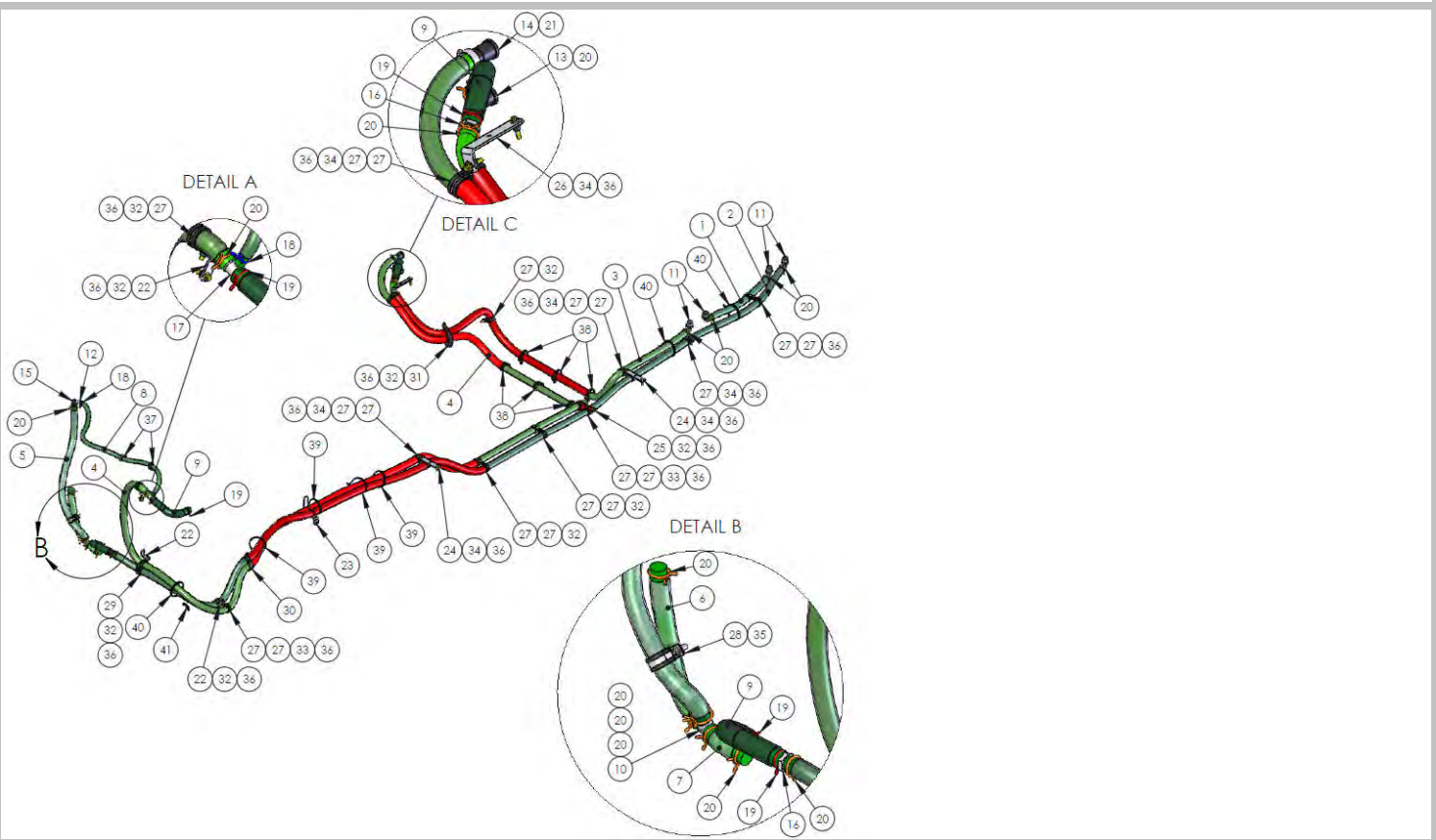
158" wheelbase, strip chassis, air conditioning and single battery unless noted.

Illustration Is Not Required

Key	PN	Qty	U/M	Description
5	104313	0	EA	CONTROLLER, PCM, FORD, VISTEON
6	104304	0	EA	SW & CAL, PCM, MY09

2009/2010 E450 Balance Hybrid

158" wheelbase, strip chassis, air conditioning and single battery unless noted.



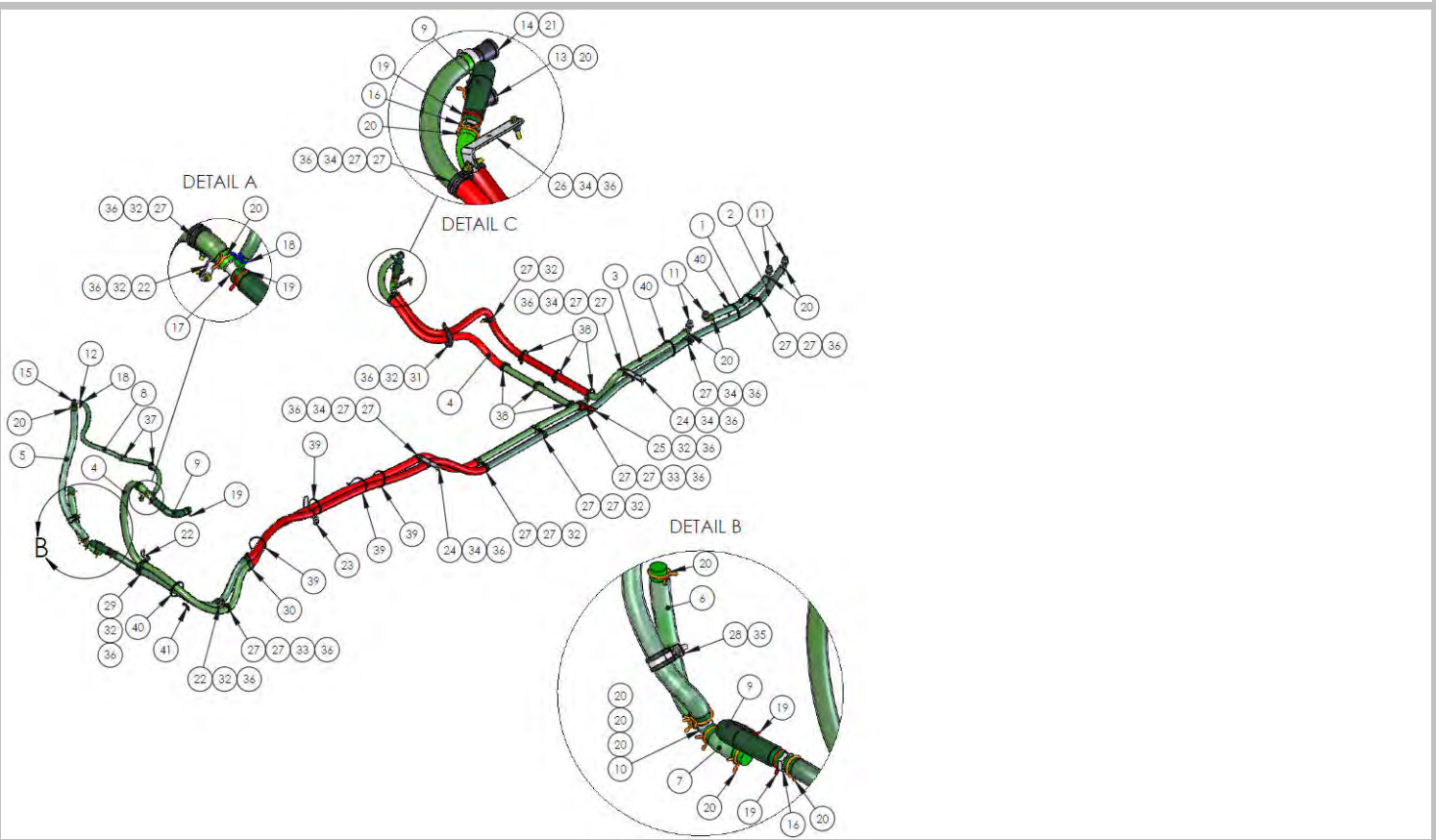
Cutaway, Shuttle Bus, Air Conditioned, Dual 12V Batteries

Key	PN	Qty	U/M	Description
1	104332	1	EA	ASSY,LTHOSE,DC-DCTODC-DC
2	104331	1	EA	ASSY,LTHOSE,PUMPTODC-DC
3	104327	1	EA	ASSY,LTHOSE,DC-DCTOBATTERY
4	104328	1	EA	ASSY,LTHOSE,BATTERYRETURN
5	104351	1	EA	ASSY,LTHOSE,FILLERNECK
6	104349	1	EA	ASSY,LTHOSE,LOWERRAD
7	104350	1	EA	ASSY,LTHOSE,LOWERRADTEETOPUMP
8	104352	1	EA	ASSY,LTHOSE,FILLERNECKOVERFLOW
9	104348	3	EA	ASSEMBLY,LTHOSE,MOLDEDELBOW
10	100527	1	EA	T-FITTING,3/4"BARB
11	100540	4	EA	ELBOW,SINGLEBARB,THREADED,0.75,0.
12	103892	1	EA	COUPLER,3/8"SINGLEBARB-1/8NPT
13	101110	1	EA	CONNECTOR,90DEG,COOLING,NIMHPAC
14	909090	1	EA	CONNECTOR,STRAIGHT,COOLING,NIMH

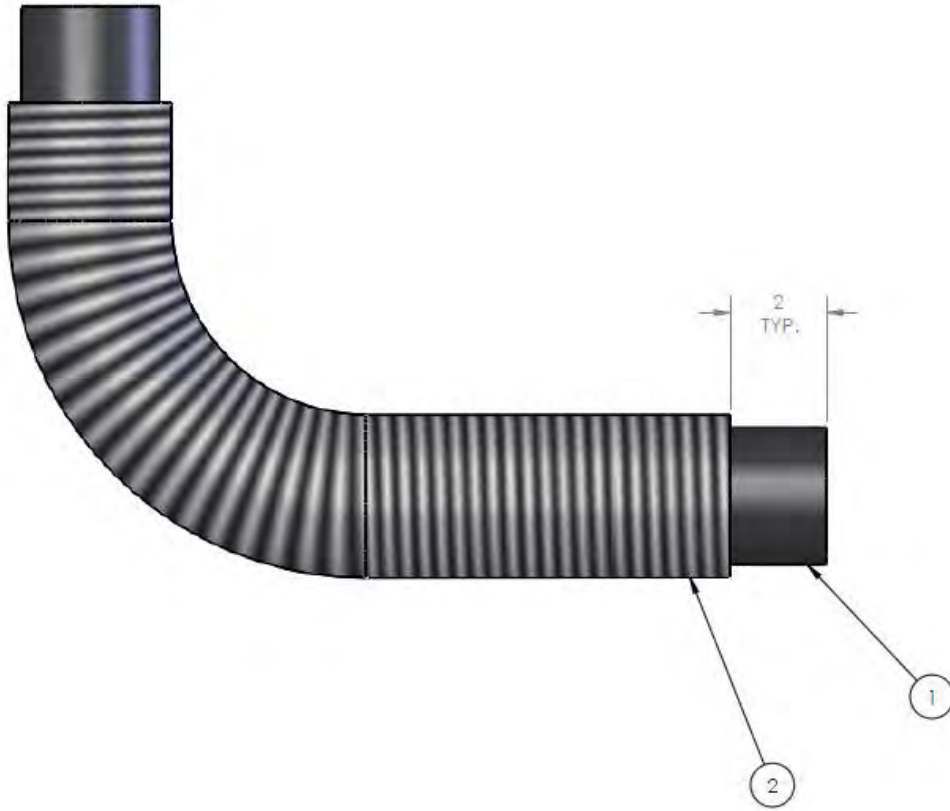
15	100542	1	EA	COUPLER,SNGLBARB,THR'D,3/4"-3/4NPT
16	100536	2	EA	COUPLING,0.75HOSEMENDER
17	100697	1	EA	TEE,3/4"TO3/8"BARB
18	103368	2	EA	CLAMP,HOSE,CTHC,15.5/16.3
19	103365	5	EA	CLAMP,HOSE,CTHC,26.3/27.7
20	103608	14	EA	CLAMP,HOSE,CTHC,27.9/29.2
21	104802	1	EA	CLAMP,HOSE,GEARTYPE,20.6/34.9
22	103884	3	EA	BRACKET,LEXTENSION,SMALL
23	103885	1	EA	BRACKET,GUARD,LTHOSE
24	104321	2	EA	BRACKET,EXTENSION,ROUTING
25	104159	1	EA	BRACKET,LTROUTING,ZEXTENSION
26	104320	1	EA	BRACKET,LEXTENSION,ROUTING
27	103728	19	EA	P-CLIP,1-3/8"ID,0.281"HOLESIZE
28	103729	1	EA	P-CLIP,1-3/8"ID,0.406"HOLESIZE
29	101590	1	EA	P-CLIP,2-1/2"ID,0.281"HOLESIZE

2009/2010 E450 Balance Hybrid

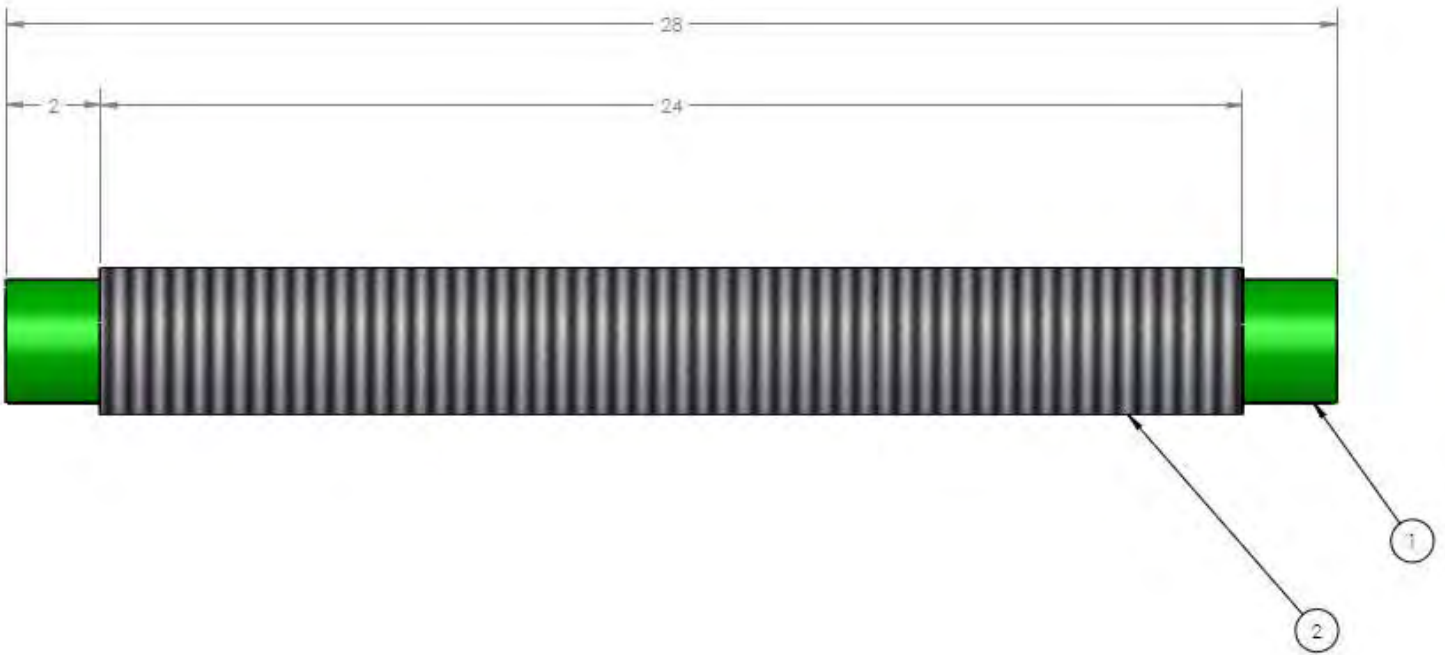
158" wheelbase, strip chassis, air conditioning and single battery unless noted.



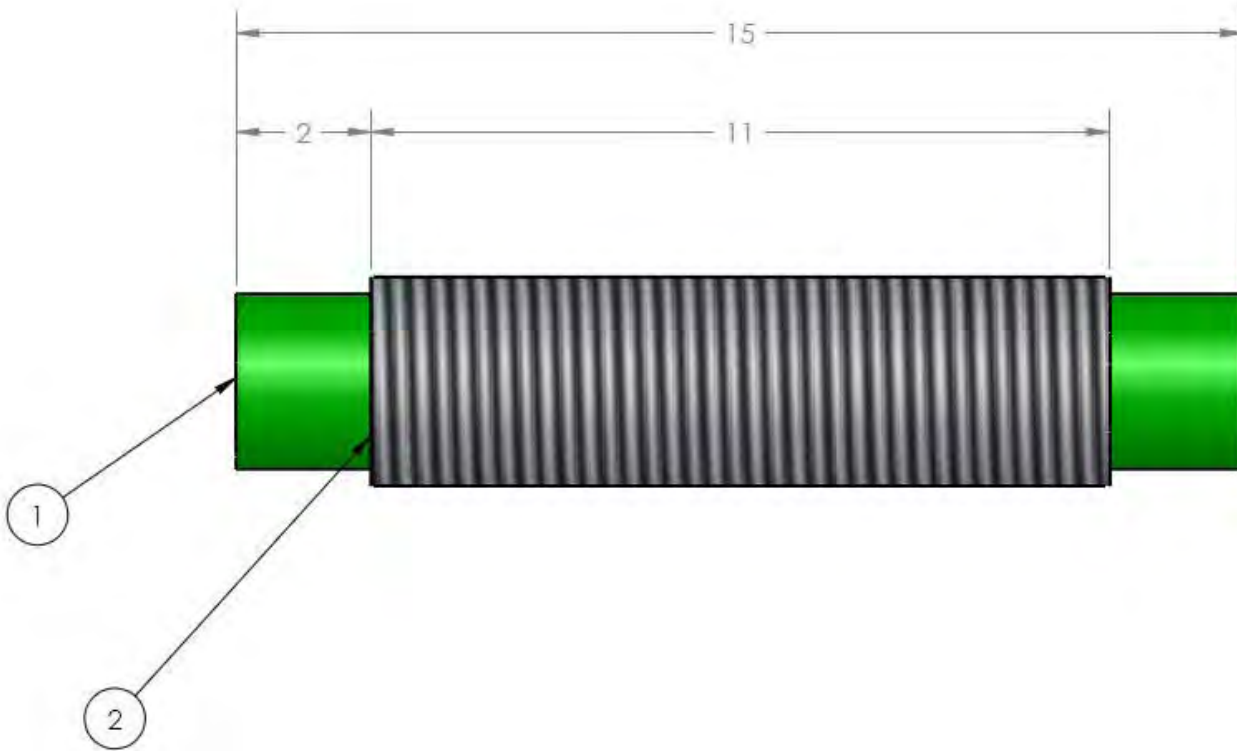
30	103699	1	EA	P-CLIP,2-1/2"ID,0.343"HOLESIZE
31	103700	1	EA	P-CLIP,3"ID,0.343"HOLESIZE
32	100406	9	EA	BOLT,HEXFLANGEHEAD,CL8.8,M6x1.0x2
33	100770	2	EA	BOLT,HEXFLANGEHEAD,CL8.8,M6x1.0x2
34	100771	7	EA	BOLT,HEXFLANGEHEAD,CL8.8,M6x1.0x3
35	103736	1	EA	BOLT,THREADFORMING,HEXFLANGE,M8
36	100409	16	EA	NUT,HEXFLANGE,CL8,M6
37	101634	2	EA	FIR TREEMOUNT,6.5-7.0mm
38	104236	6	EA	FIR TREEMOUNT,8.75-9.25mm
39	103539	4	EA	TIE STRAP,HIGH TEMPERATURE
40	101587	3	EA	TIE STRAP,HEAVY,15"x0.3125"
41	100925	6	cm	EDGE TRIM
42	100879	5	mL	THREAD SEALANT,PIPE(NOT SHOWN)



Key	PN	Qty	U/M	Description
1	101695	1	EA	HOSE,MOLDEDELBOW,3/4",90DEG,4X6"
2	103616	19	cm	LOOM,SPLIT,11/4",BLACK,150DEG
3	101146	50	cm	TAPE,ELECTRICAL,BLACK(NOTSHOWN)



Key	PN	Qty	U/M	Description
1	103369	28	cm	HOSE,3/4",COOLANT,HEAVYDUTY,EPDM
2	103616	24	cm	LOOM,SPLIT,11/4",BLACK,150DEG
7	101146	50	cm	TAPE,ELECTRICAL,BLACK(NOTSHOWN)



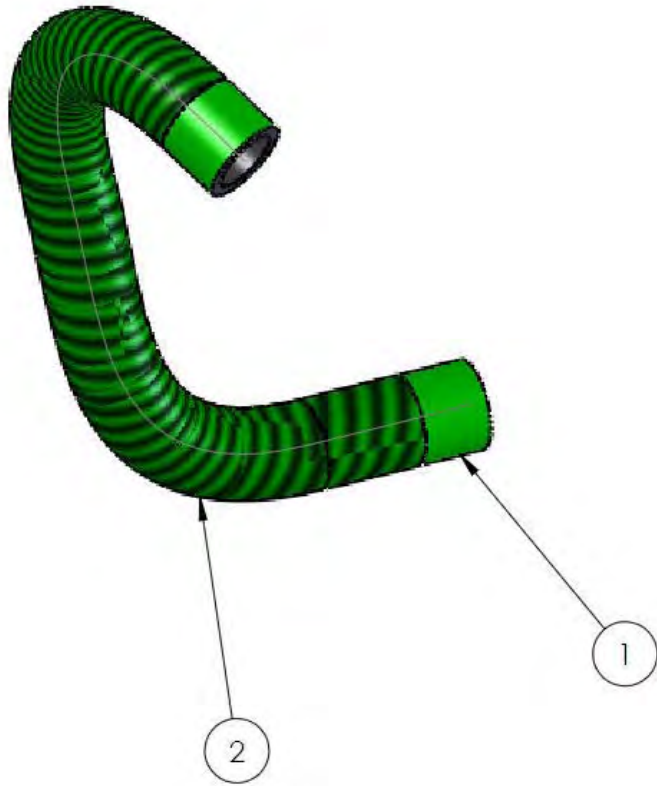
Key	PN	Qty	U/M	Description
1	103369	15	cm	HOSE,3/4",COOLANT,HEAVYDUTY,EPDM
2	103616	11	cm	LOOM,SPLIT,11/4",BLACK,150DEG
6	101146	50	cm	TAPE,ELECTRICAL,BLACK(NOTSHOWN)

Key	PN	Qty	U/M	Description
1	102899	1	EA	BRACKET, DEGAS
2	100703	1	EA	RESERVOIR, COOLANT
3	100704	1	EA	CAP, COOLANT RESERVOIR
4	100406	8	EA	BOLT, HEX FLANGE HEAD, CL8.8, M6x1.0x20
5	100409	8	EA	NUT, HEX FLANGE, CL8, M6
6	100407	2	EA	BOLT, HEX FLANGE HEAD, CL8.8, M8x1.25x20
7	100410	2	EA	NUT, HEX FLANGE, CL8, M8
7	103137	1	EA	RADIATOR, LOW TEMPERATURE, FORD OEM
8	103863	1	EA	BRACKET, LOW TEMPERATURE RADIATOR, RIGHT
9	103382	1	EA	BRACKET, LOW TEMPERATURE RADIATOR, LEFT



Key	PN	Qty	U/M	Description
1	103515	1	EA	HOSE,4X24"ELBOW,MOLDED3/4"
2	103616	66	cm	LOOM,SPLIT,11/4",BLACK,150DEG
3	101146	50	cm	TAPE,ELECTRICAL,BLACK(NOTSHOWN)

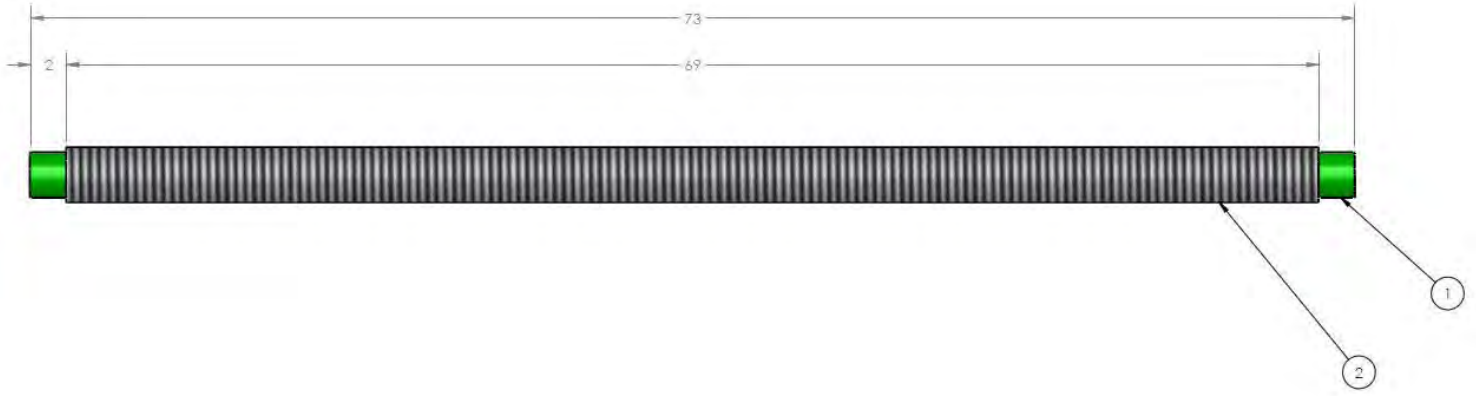




Key	PN	Qty	U/M	Description
1	103282	1	EA	HOSE,MOLDED,3/4"
2	103616	27	cm	LOOM,SPLIT,11/4",BLACK,150DEG
3	101146	50	cm	TAPE,ELECTRICAL,BLACK(NOTSHOWN)

2009/2010 E450 Balance Hybrid

158" wheelbase, strip chassis, air conditioning and single battery unless noted.



Key	PN	Qty	U/M	Description
1	103369	73	cm	HOSE,3/4",COOLANT,HEAVYDUTY,EPDM
2	103616	69	cm	LOOM,SPLIT,11/4",BLACK,150DEG
3	101146	50	cm	TAPE,ELECTRICAL,BLACK(NOTSHOWN)